

www.PublicFurniture.com

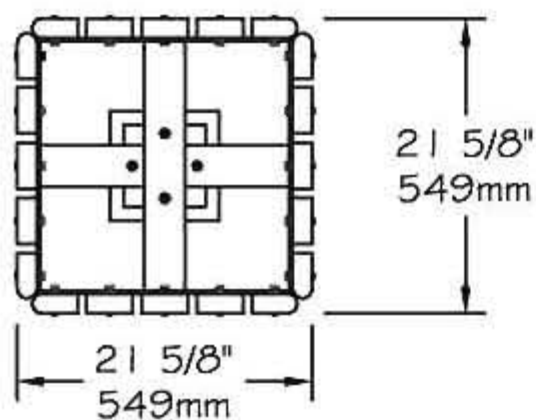
Phone: 1-888-863-2888

Fax: 1-888-863-2858

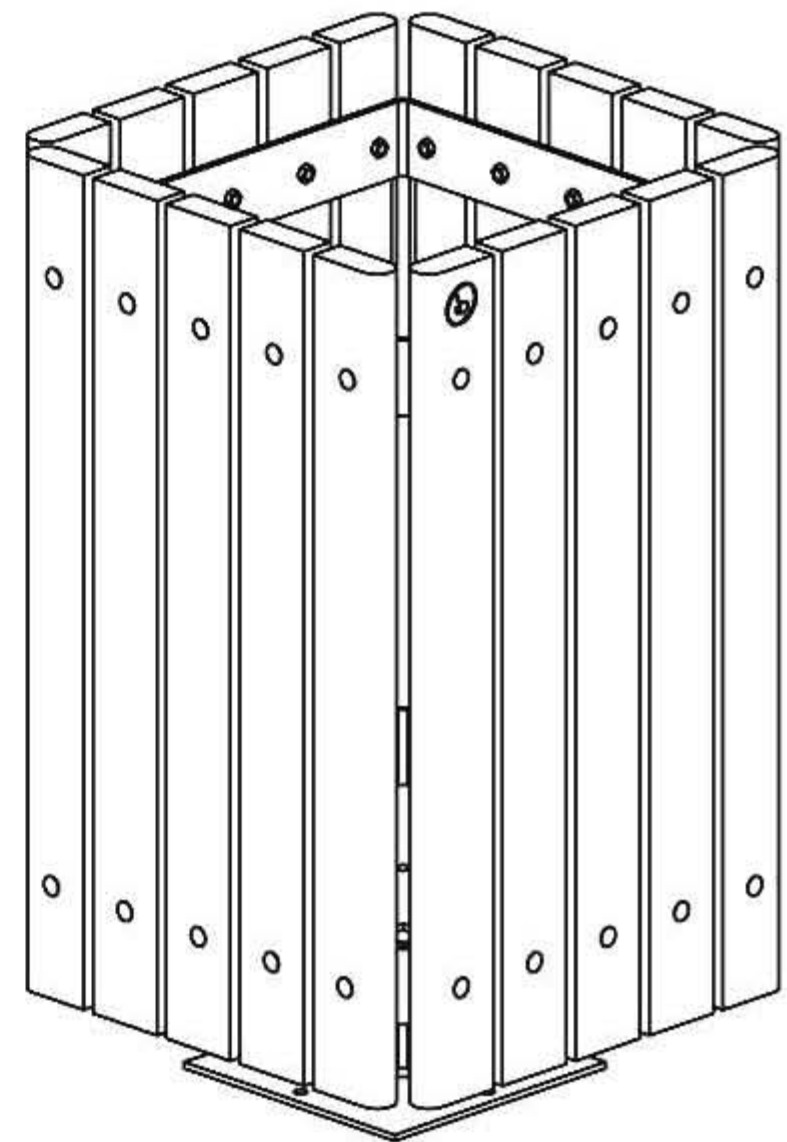
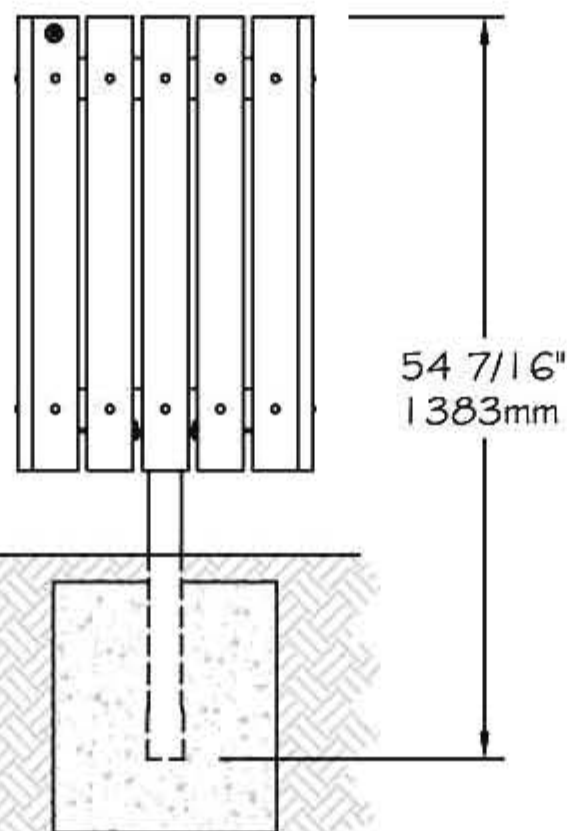
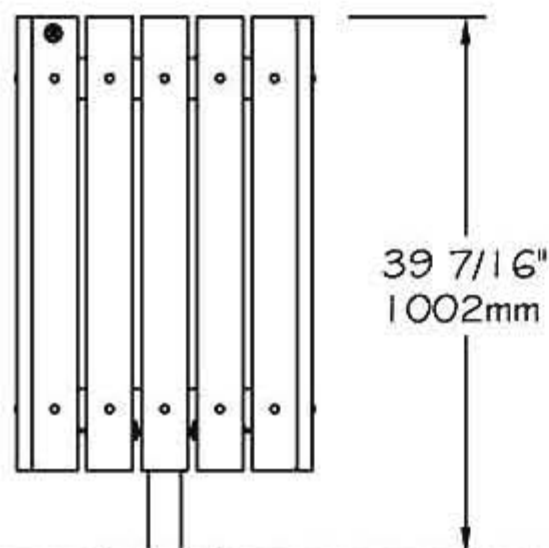
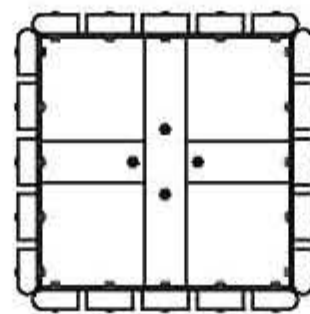
Contour Serie - Trash receptacle

#TR0/2/4/8/9

Surface mounted



In-ground mounted



Trash receptacle #TR0,#TR2,#TR4,#TR8,#TR9 "Contour Serie"

- The slats trash receptacle is completely made of **ULTRAPLAST** recycled plastic and the structure is in steel.
- The trash receptacle slats are available in grey (#TR0), brown (#TR2), green (#TR4), sand (#TR8) or red wood (#TR9).
- The trash receptacle is composed with slats 2" x 4" (37mm x 86mm) and with Bullnose slats 2" x 4" (37mm x 86mm).
- The structure and legs are coated with our InfiniGuard Professional anti-corrosion system.
- The tubular steel legs, 2 3/8" of diameter (60mm of diameter).
- Flat steel seat reinforcement, 1/4" x 3" (6.4mm x 76mm).
- Dimensions: 39 7/16" x 21 5/8" x 21 5/8" (1002mm x 549mm x 549mm).
- Stainless steel hardware.
- Available installation : surface mounted or in-ground.
- Factory assembly.

Standard installation details:

- Surface mounted.
- In-ground.

Options:

- Stainless steel standard anchor #KB.
- Stainless steel antitheft anchor #OAN.
- Galvanized liner 28 gal US (109liters) #12093.
- Side Ashray #101411
- Shipped ready to be assembly.

Trash receptacle, **ULTRAPLAST**, weight : 150 Lb.