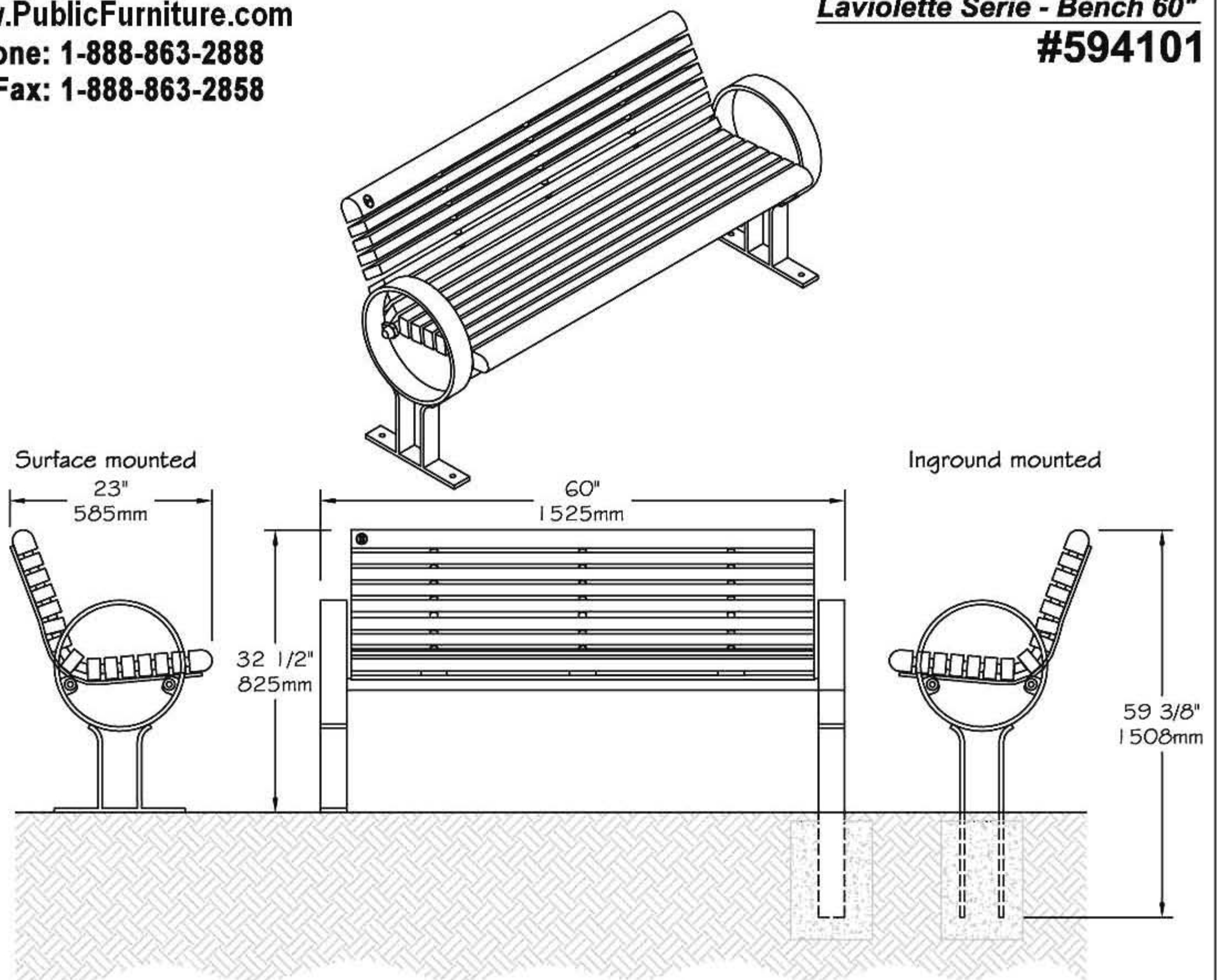


www.PublicFurniture.com

Phone: 1-888-863-2888

Fax: 1-888-863-2858

Laviolette Serie - Bench 60"
#594101



Bench 60" #594101 "Laviolette Serie"

- The slats bench is completely made of **ULTRAPLAST™** recycled plastic and the structure is in steel are coated with our infiniGuard Professional anti-corrosion system.
- The seat and backrest slats are available in grey (#594101/GR), brown (#594101/BR), green (#594101/VE), sand (#594101/SB) or red wood (#594101/RW).
- The bench is composed with slats 2" x 3" (37mm x 62mm) and with Bullnose slats 3" x 3" (62mm x 62mm).
- The slats and Bullnose slats are in **ULTRAPLAST™** recycled plastic.
- Flat steel legs 1/2" x 3" (13mm x 76mm).
- Steel structure tubes and reinforcing steel contour rod with nylon spacers.
- Flat steel seat support 3/8" x 4" (10mm x 100mm).
- Dimensions: 60" x 23" x 32 1/2" (1525mm x 585mm x 825mm).
- Cameleon hardware.
- Stainless steel standard anchor.
- Available installation: surface mounted or in-ground mounted.
- Factory assembly.

Standard installation details:

- Surface mounted (surface mounted legs #105902).
- In-ground mounted (inground mounted legs #105912).

Options:

- Stainless steel antitheft anchor #OAN.
- Stainless steel antitheft hardware.
- Semi assembly

Bench 60", **ULTRAPLAST™**, weight : 250 Lb.