

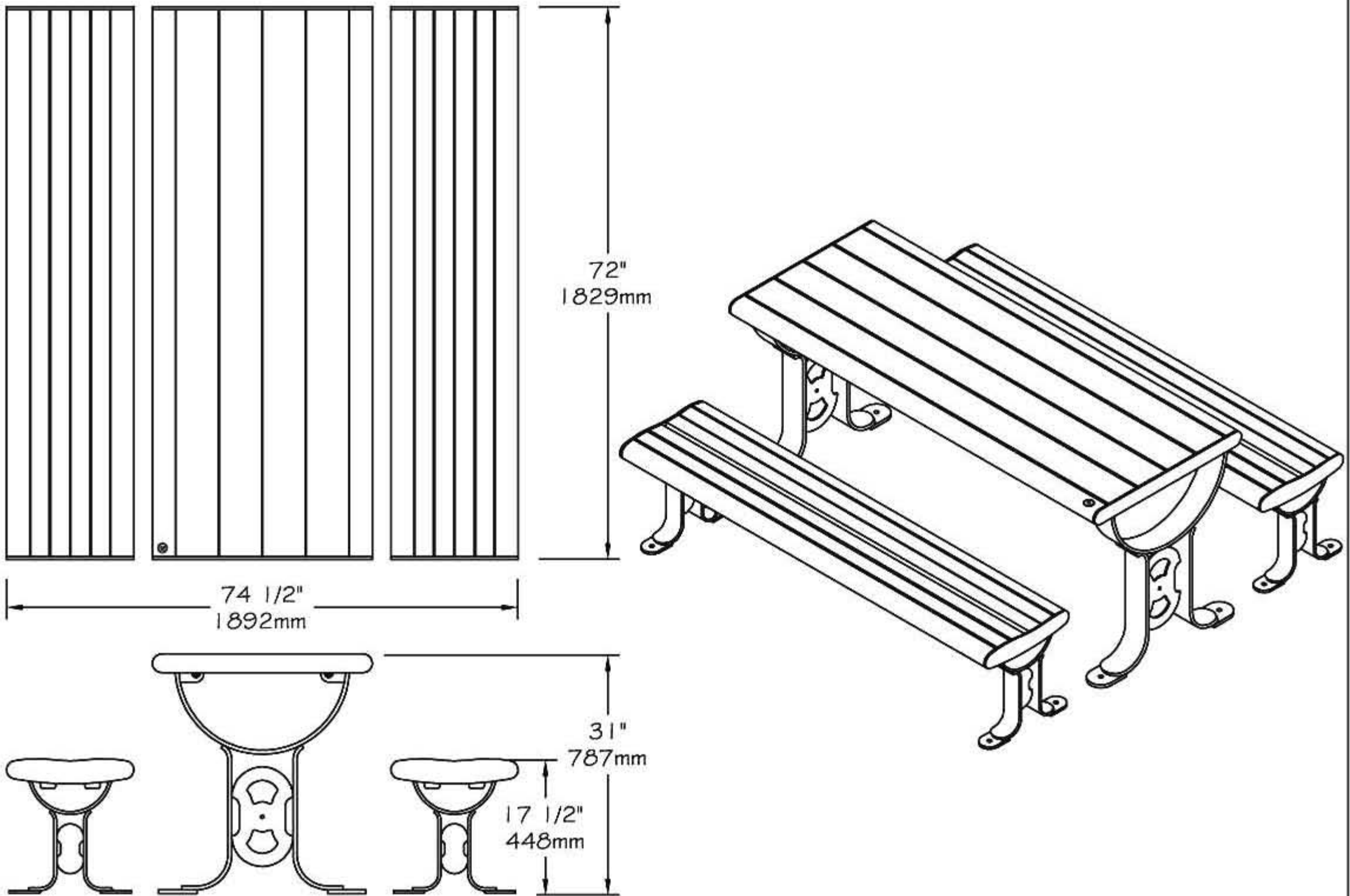
www.PublicFurniture.com

Phone: 1-888-863-2888

Fax: 1-888-863-2858

Franklin Serie - Picnic table

#574401



Picnic table #574401 "Franklin Serie"

- The slats picnic table is made of **ULTRAPLAST™** recycled plastic and structure is made of steel with our InfiGuard Professional anti-corrosion.
- The benches and table slats are available in grey (#574401/GR), brown (#574401/BR), green (#574401/GR), sand (#574401/SB) or red wood (#574401/RW).
- The bench slats are in 2" x 3" (37mm x 62mm) and with Bullnose 3" x 3" (62mm x 62mm) .
- The table slats are in 2" x 6" (37mm x 137mm) and with Bullnose 3" x 3" (62mm x 62mm) .
- Flat steel table legs in continuation, 3/8" x 4" (10mm x 102mm) and 3/8" x 3" (10mm x 76mm).
- Tubular steel table and seat beds, 1.9" of diameter (48mm of diameter) and 1/4" x 3" (6.4mm x 76mm) flat steel.
- Dimensions: 72" x 74 1/2" x 31" (1829mm x 1892mm x 787mm).
- Cameleon hardware.
- Stainless steel standard anchor.
- Available installation: surface mounted.
- Shipped assembly.

Standard installation details:

- Surface mounted.

Options:

- Stainless steel antitheft anchor #OAN.
- Inground permanent anchor #ANC-FIX-01.
- Stainless steel antitheft hardware.

Picnic table, ULTRAPLAST™, weight : 595 Lb.