

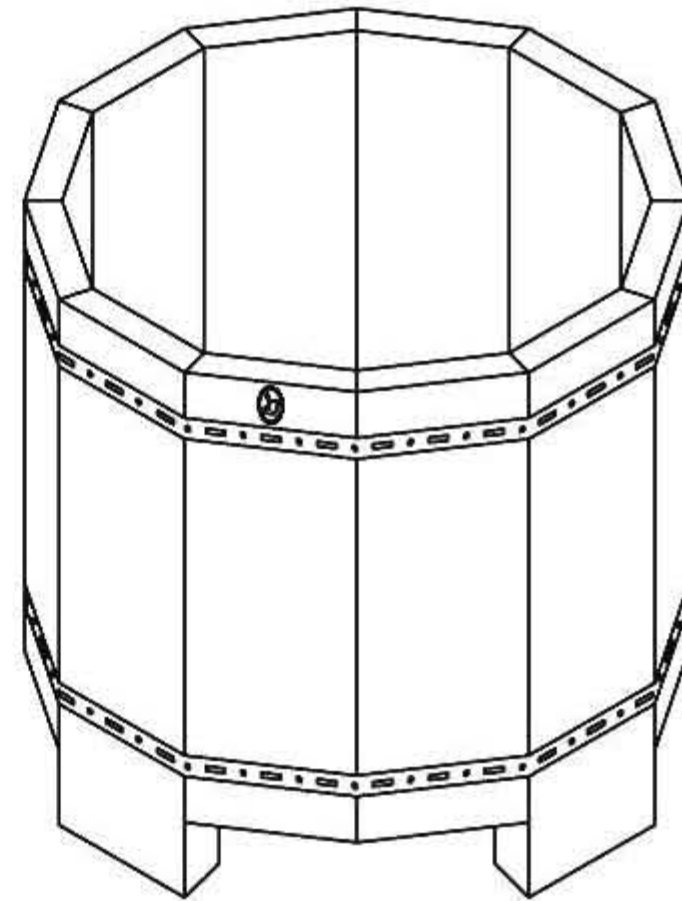
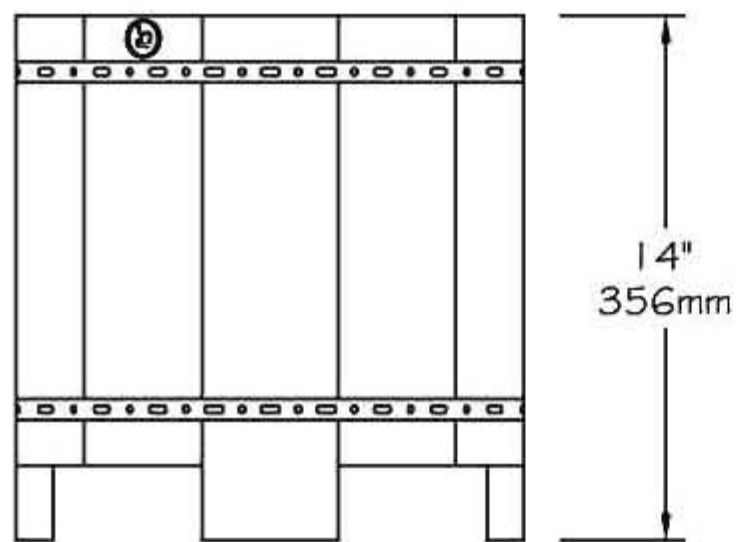
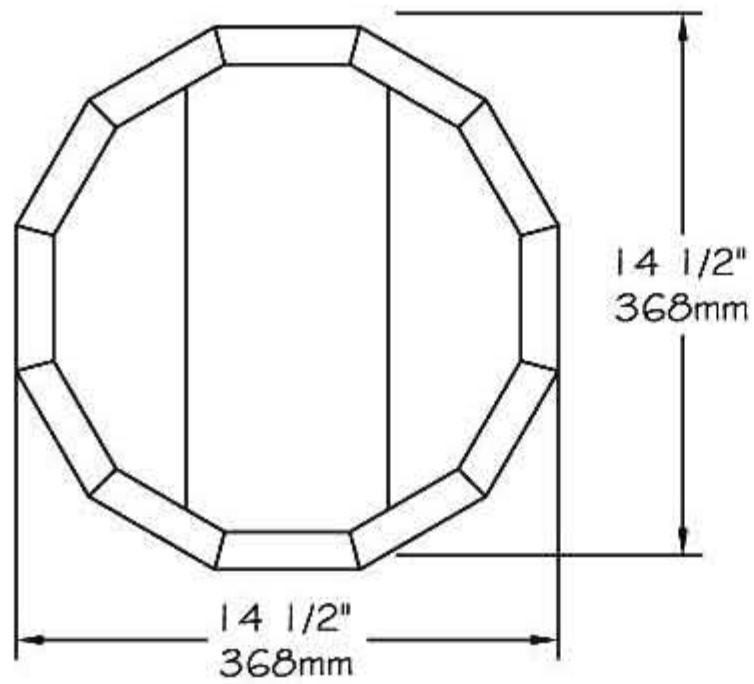
www.PublicFurniture.com

Phone: 1-888-863-2888

Fax: 1-888-863-2858

**Park Serie - Polygonal flower planter 14 1/2"**

**#500/1/2/3/8**



### **Polygonal flower planter 14 1/2" #500,#501,#502,#503,#508 "Park-Serie"**

- The flower planter is completely made of **ULTRAPLAST™** recycled plastic.
- The bottom of flower planter is black.
- The sides of flower planter are available in grey (#501), brown (#502), green (#503), sand (#508) or red wood (#500).
- The side and bottom slats are in 1 1/4" x 4" (25mm x 102mm) in **ULTRAPLAST™** recycled plastic.
- Two stainless steel band (strip) restraint the assembly.
- Dimensions: 14 1/2" x 14 1/2" x 14" (368mm x 368mm x 356mm).
- Capacity: 10.6 gal. US (40 liters).
- Available installation : surface mounted.
- Shipped assembly.

#### **Standard installation details:**

- Surface mounted.

#### **Options:**

- Stainless steel standard anchor #KB.
- Stainless steel antitheft anchor #OAN.

Polygonal flower planter 14 1/2", **ULTRAPLAST™**, weight : 25Lb.