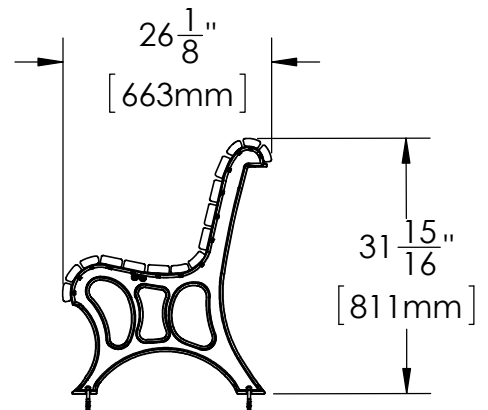
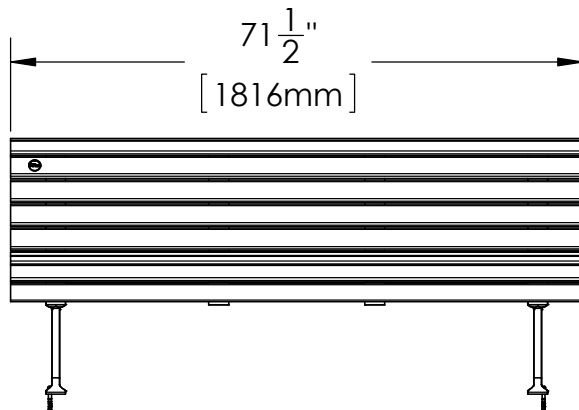
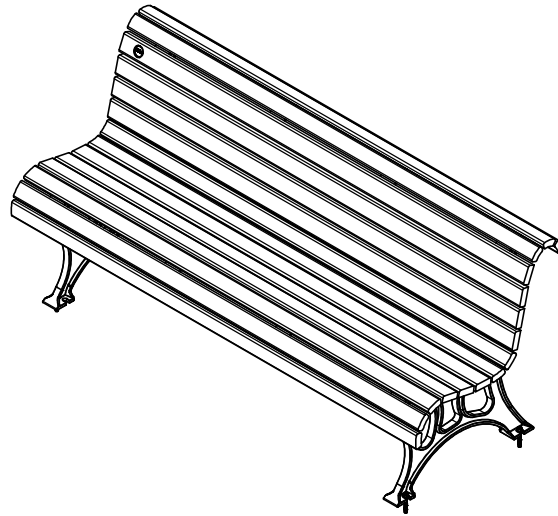




www.PublicFurniture.com  
Phone: 1-888-863-2888  
Fax: 1-888-863-2858  
Email: info@publicfurniture.com

## NOTRE DAME Series - 72" Bench #295106-2013

Rev: January 30th, 2015



### Features:

- The bench slats are made of **ULTRAPLAST™** recycled plastic, the structure is made of cast aluminum coated with our "InfiniGuard Professional" anti-corrosion system.
- The bench is made of 13 deg. and 22 deg., 1 1/16" x 2 3/16" (27mm x 56mm) slats and 1 1/4" x 3 (25mm x 68mm) slats..
- Stainless steel hardware.
- Stainless steel standard anchor.
- Factory assembled.

### Standard installation details:

- Surface mounted.

### Options:

- Stainless steel anti-theft anchor.
- In-ground permanent anti-theft anchor.
- Stainless steel anti-theft hardware.



Weight: 78 Kg