

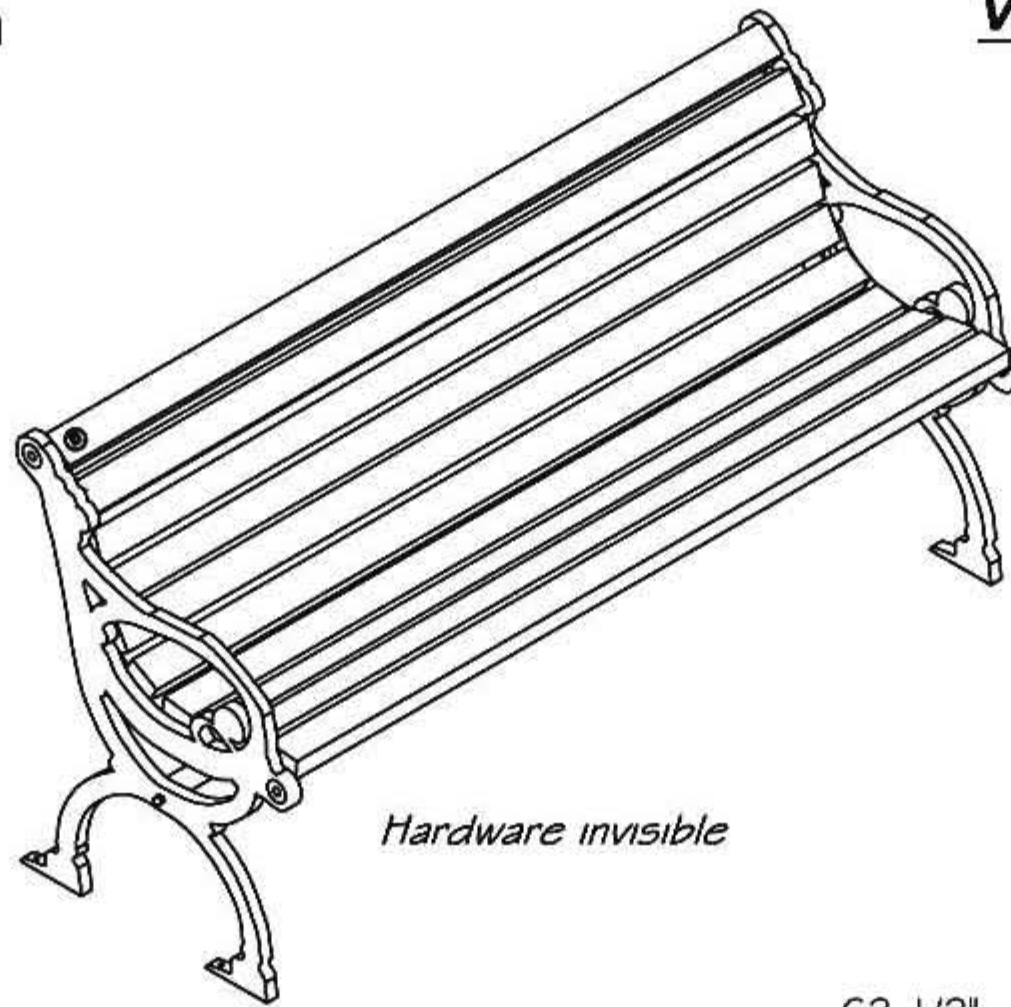
www.PublicFurniture.com

Phone: 1-888-863-2888

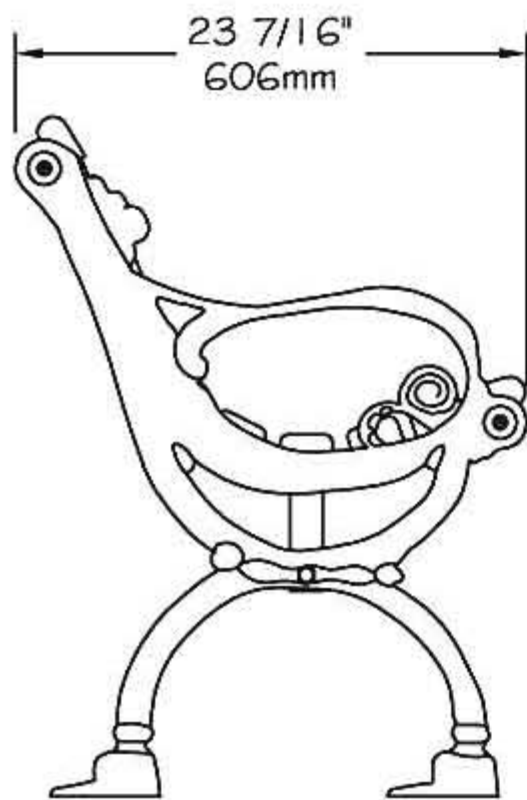
Fax: 1-888-863-2858

**Victorian Serie - Bench 60"**

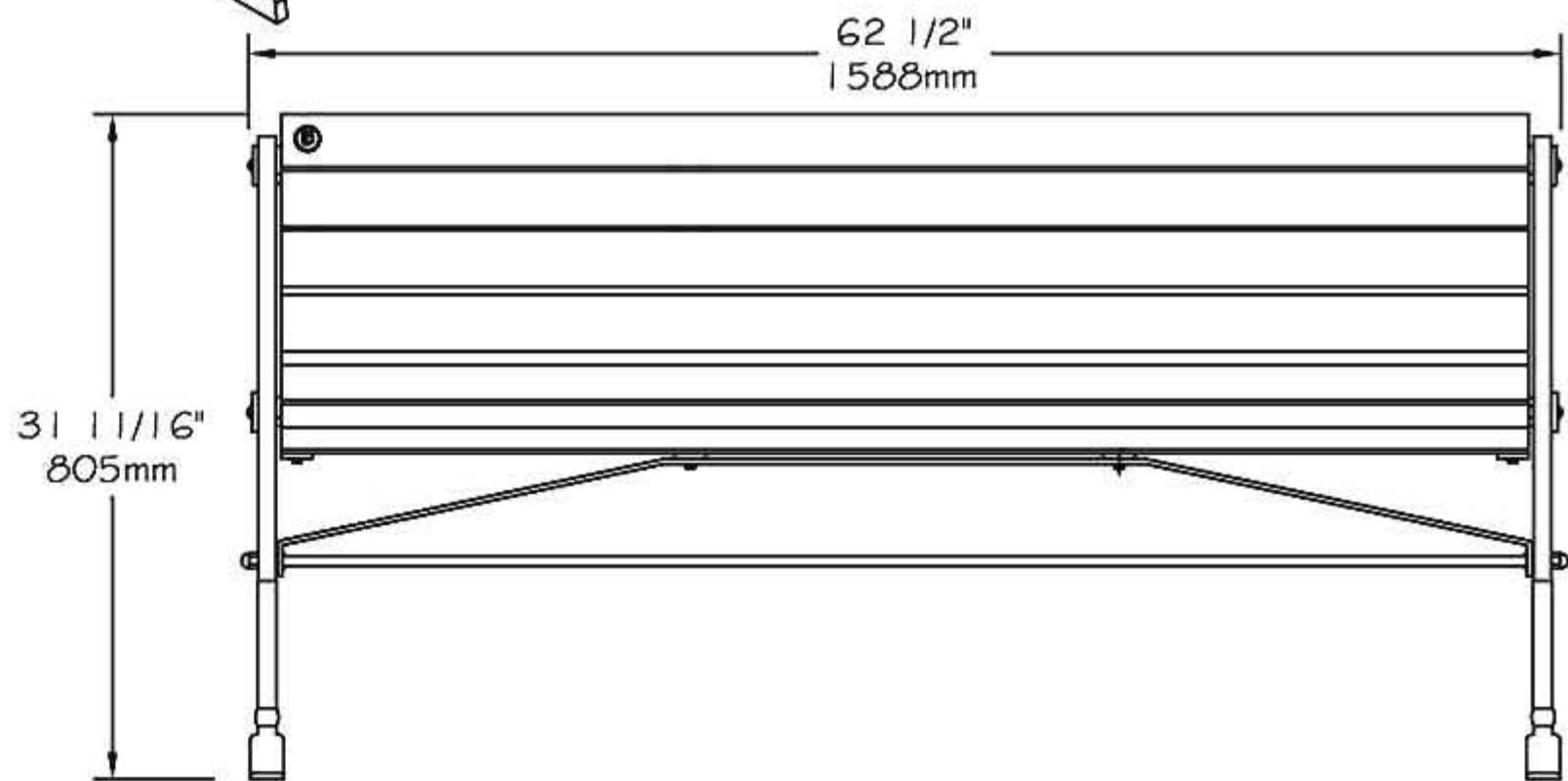
**#250/2/3/4/8**



*Hardware invisible*



23 7/16"  
606mm



62 1/2"  
1588mm

31 11/16"  
805mm

## **Bench 60" #250,#252,#253,#254,#258 "Victorian Serie"**

- The slats bench is completely made of **ULTRAPLAST™** recycled plastic, the legs is in cast aluminium and the structure is in steel.
- The seat and backrest slats are available in grey (#230), brown (#252), green (#254), sand (#258) or red wood (#253).
- The bench is composed with slats 2" x 3" (37mm x 62mm) and with Bullnose slats 2" x 3" (37mm x 62mm).
- The structure is coated with our InfiGuard Professional anti-corrosion system.
- The legs is in cast aluminium with our InfiGuard Professional anti-corrosion system.
- The structural ties are made of flat steel, 1/4" x 1 1/2" (6.3mm x 38mm) and of the roundrod, 1/2" (13mm).
- Flat steel seat reinforcement, 1/4" x 2" (6.3mm x 51mm).
- Dimensions: 62 1/2" x 23 7/16" x 31 11/16" (1588mm x 595mm x 805mm).
- Stainless steel hardware.
- Hardware visible or invisible.
- Stainless steel standard anchor.
- Available installation: surface mounted.
- Shipped ready to be assembly.

### **Standard installation details:**

- Surface mounted.

### **Options:**

- Stainless steel antitheft anchor #OAN.
- Factory assembly.

*Bench 60", ULTRAPLAST™, weight : 125 Lb.*