

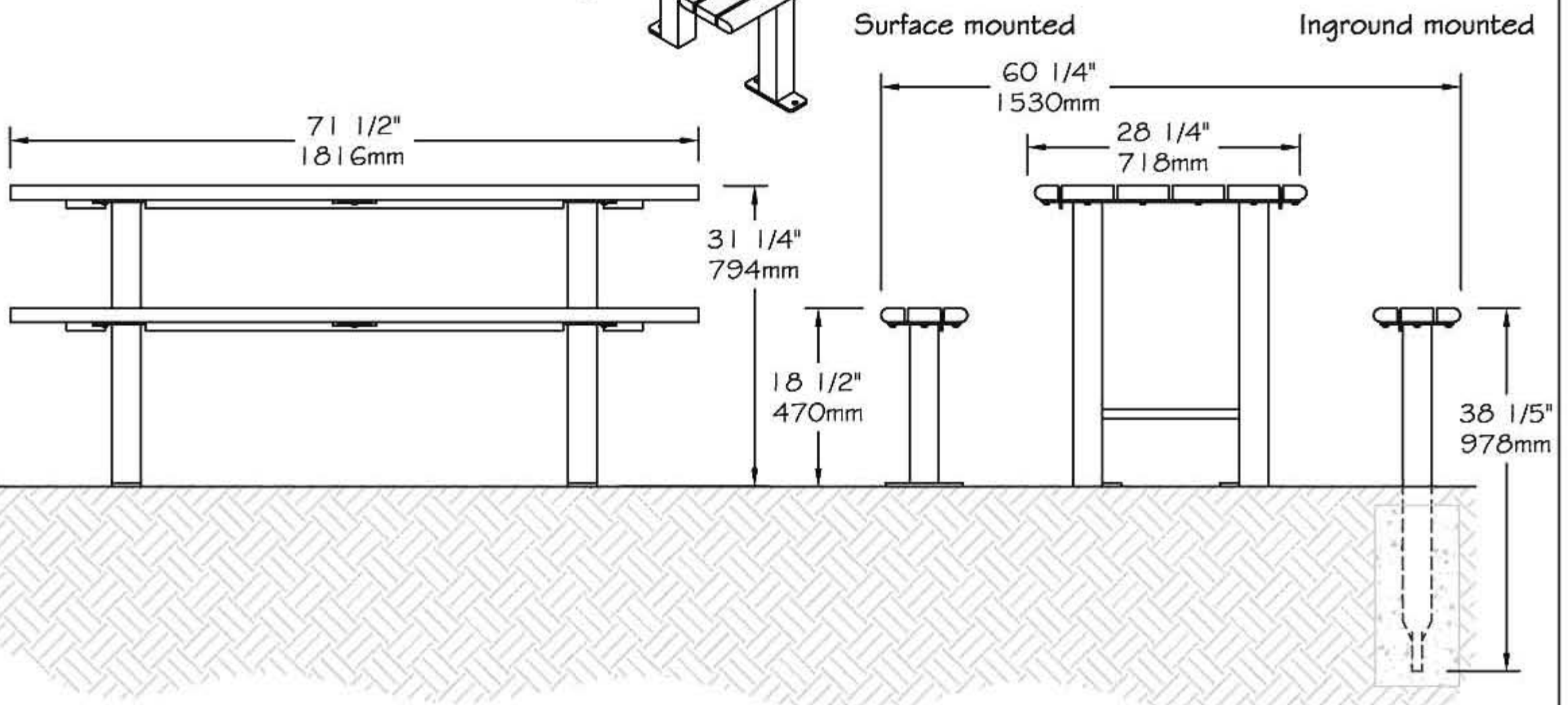
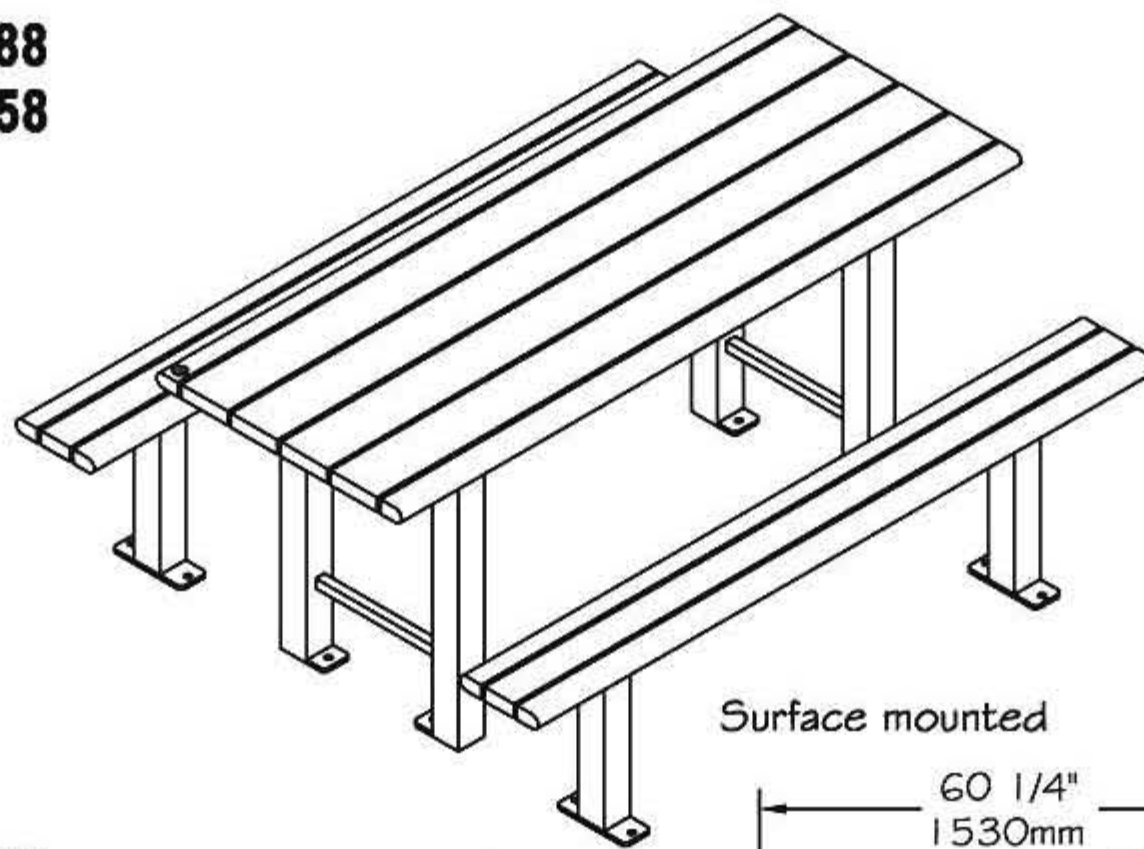
www.PublicFurniture.com

Phone: 1-888-863-2888

Fax: 1-888-863-2858

Public Place Serie - Picnic table 72"

#174423



Picnic table 72" #174423 "Public Place Serie"

- The slats table is made of **ULTRAPLAST**® recycled plastic and steel structure coated with our InfiGuard Professional anti-corrosion system.
- The bench and table slats are available in grey (#174423/GR), brown (#174423/BR), green (#174423/GR), sand (#174423/SB) or red wood (#174423/RW).
- The bench slats are in 2" x 4" (37mm x 86mm) and with Bullnose 2" x 3" (37mm x 62mm).
- The table slats are in 2" x 6" (37mm x 137mm) and with Bullnose 2" x 3" (37mm x 62mm).
- Tubular steel legs, 3" x 3" (76mm x 76mm).
- Steel longitudinal reinforcements, 3/16" x 2" (4.8mm x 51mm).
- Dimensions: 71 1/2" x 60 1/4" x 31 1/4" (1816mm x 1530mm x 794mm).
- Stainless steel standard anchor.
- Cameleon hardware.
- Available installation: surface mounted or in-ground mounted.
- Shipped assembly.

Standard installation details:

- Surface mounted.
- In-ground mounted

Options:

- Stainless steel antitheft anchor #OAN.
- Stainless steel antitheft hardware.

Picnic table 72", ULTRAPLAST®, weight : 250 Lb.