

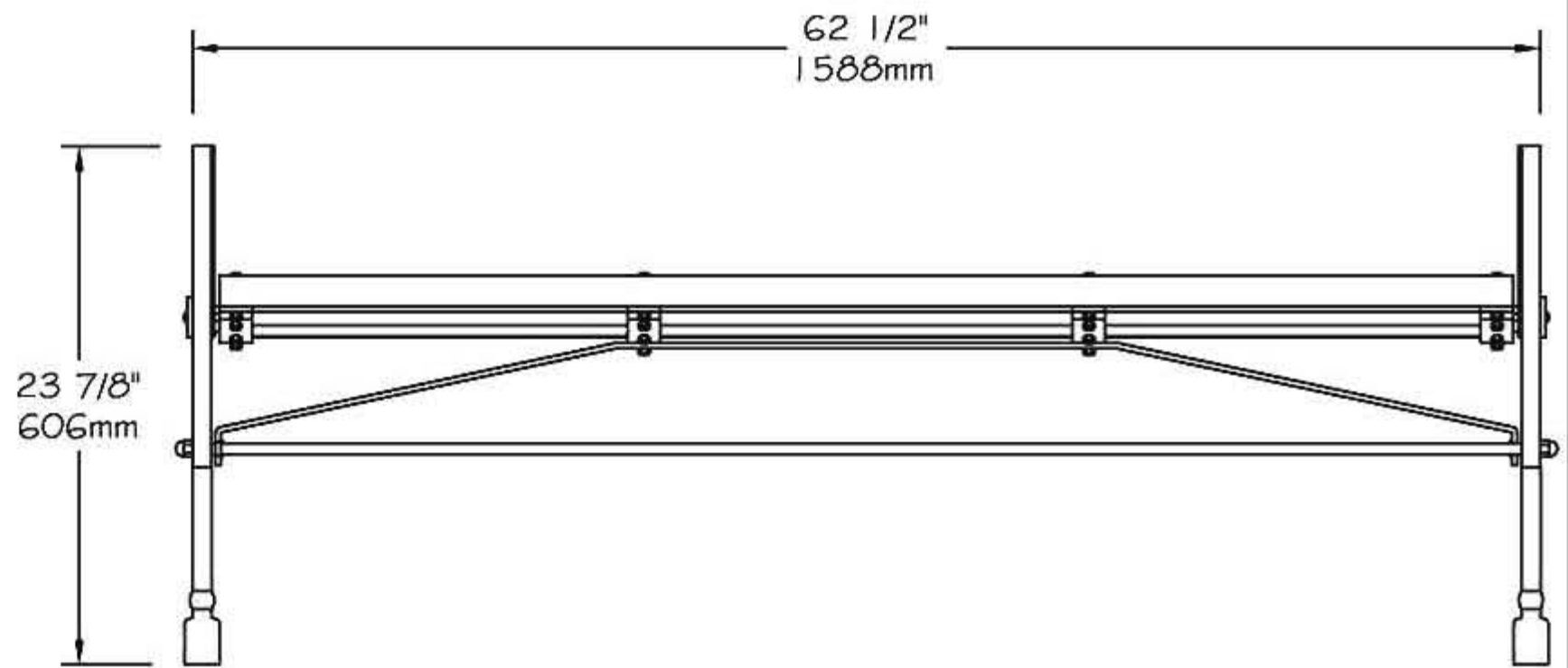
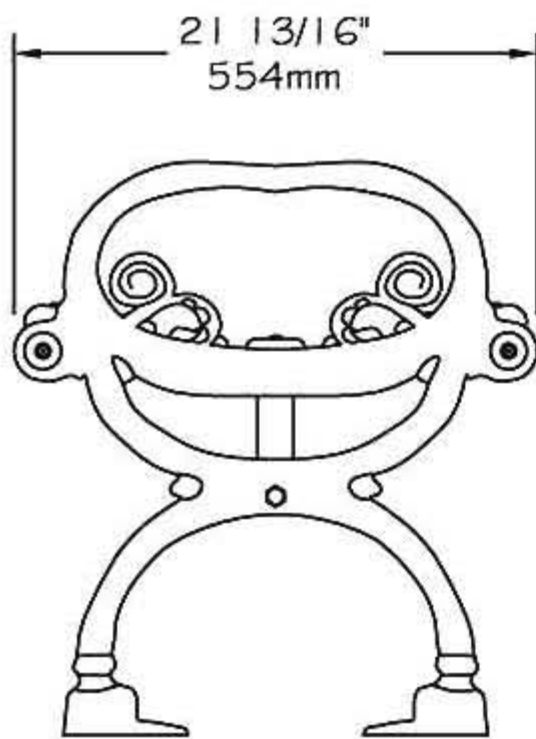
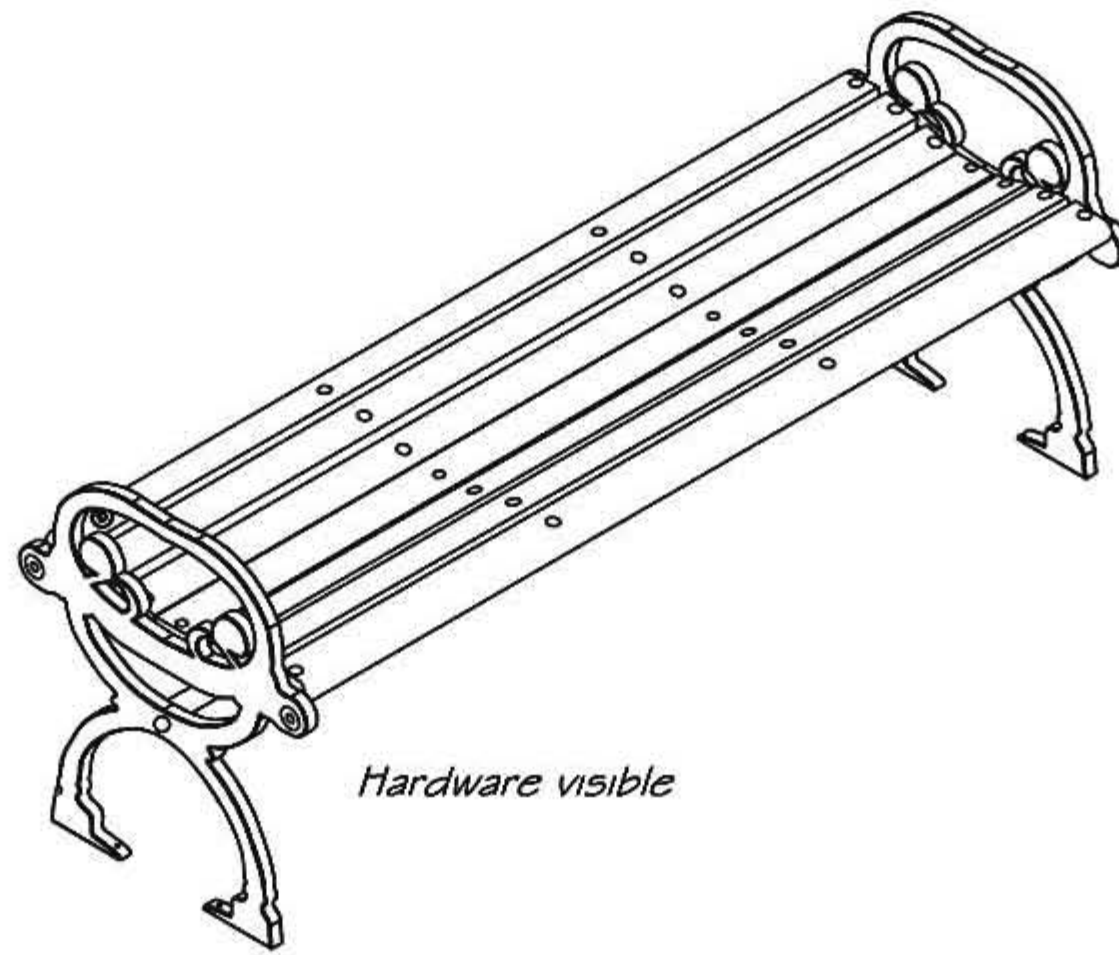
www.PublicFurniture.com

Phone: 1-888-863-2888

Fax: 1-888-863-2858

Victorian Serie - Straight bench 60"

#VS0/2/3/4/8



Straight bench 60" #VS0,#VS2,#VS3,#VS4,#VS8 "Victorian Serie"

- The slats bench is completely made of **ULTRAPLAST™** recycled plastic, the legs is in cast aluminium and the struture is in steel.
- The seat and backrest slats are available in grey (#VS0), brown (#VS2), green (#VS4), sand (#VS8) or red wood (#VS3).
- The bench is composed with slats 2" x 3" (37mm x 62mm) and with Bullnose slats 2" x 3" (37mm x 62mm).
- The structure is coated with our InfiniGuard Professional anti-corrosion system.
- The legs is in cast aluminium with our InfiniGuard Professional anti-corrosion system.
- The structural ties are made of flat steel, 1/4" x 1 1/2" (6.3mm x 38mm) and of the roundrod, 1/2" (13mm).
- Flat steel seat reinforcement, 1/4" x 2" (6.3mm x 51mm).
- Dimensions: 62 1/2" x 21 13/16" x 23 7/8" (1588mm x 554mm x 606mm).
- Stainless steel hardware.
- Hardware visible or invisible.
- Stainless steel standard anchor.
- Available installation : surface mounted.
- Shipped ready to be assembly.

Standard installation details:

- Surface mounted.

Options:

- Stainless steel antitheft anchor #OAN.
- Factory assembly.

Straight bench 60", ULTRAPLAST™, weight : 110 Lb.