

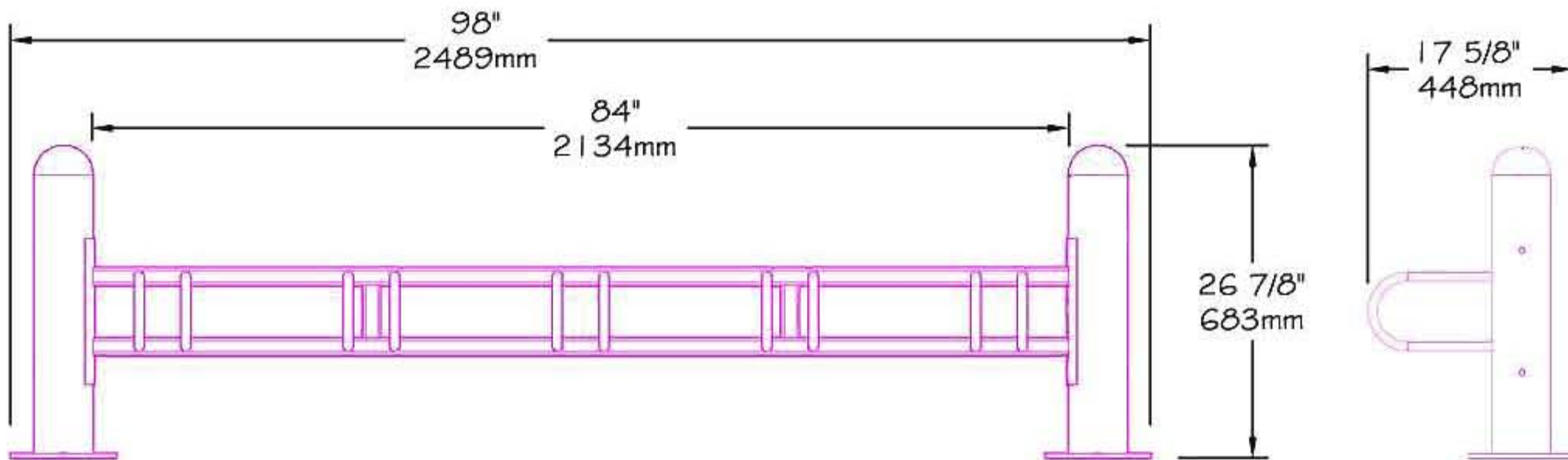
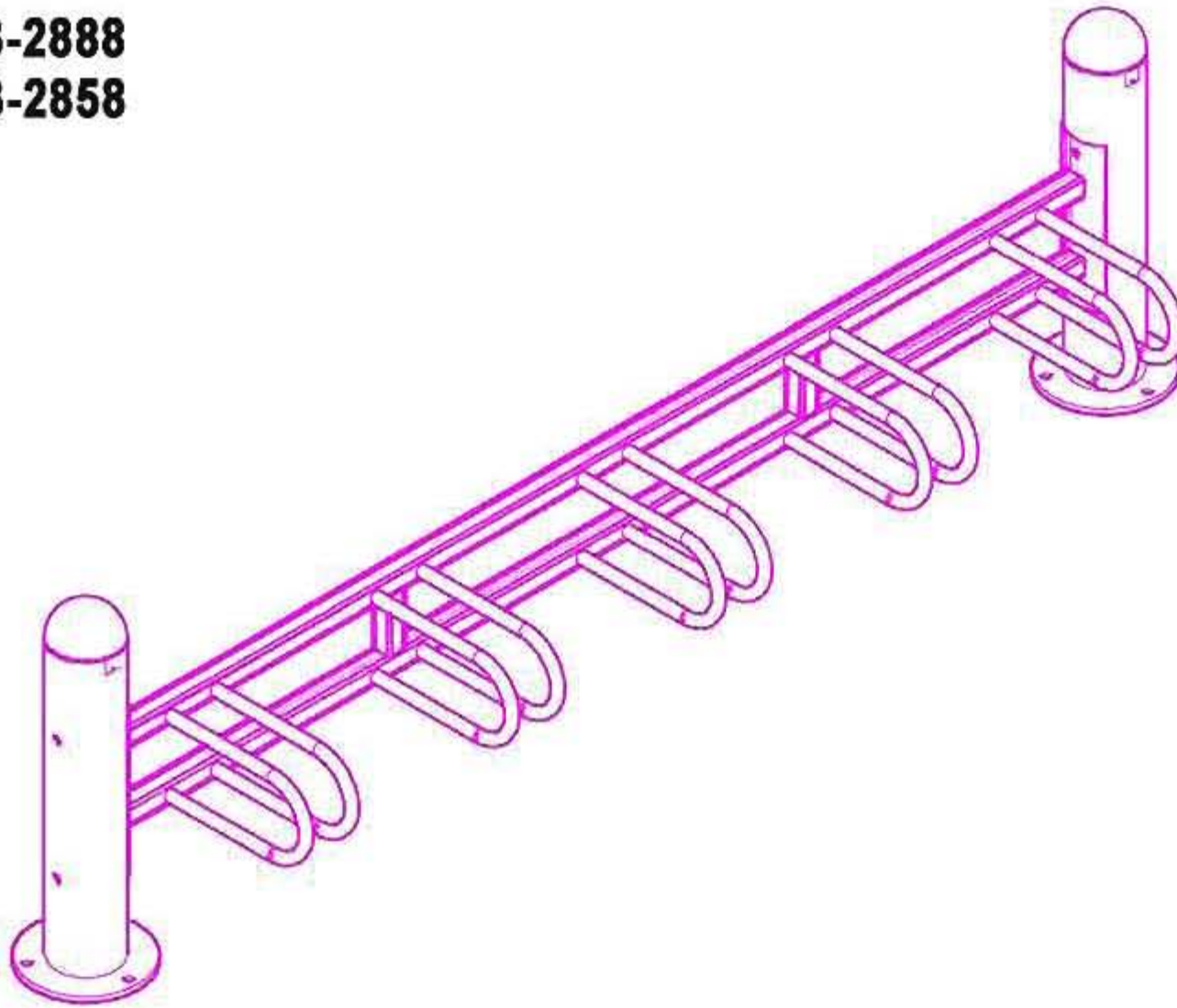
www.PublicFurniture.com

Phone: 1-888-863-2888

Fax: 1-888-863-2858

Stoneham serie - Bike rack

#SVST-5



Bike rack #SVST-5 "Stoneham - Serie"

- The bike rack is made of steel coated with our InfiniGuard Professional anticorrosion system.
- Modular conception enabling section add-on
- Steel tubular legs, 5" of diameter (DIA 127mm).
- Cross bars made of tubular steel 1 1/2" x 1 1/2" (38mm x 38mm).
- Wheel retaining bars made of steel rods, 3/4" of diameters (DIA 19mm).
- Dimensions: 98" x 17 5/8" x 26 7/8" (2489mm x 448mm x 683mm).
- Stainless steel standard anchor.
- Available installation: surface mounted.
- Factory assembly.

Standard installation details:

- Surface mounted.

Options:

- Stainless steel antitheft anchor #OAN.
- In-ground permanent anchor #ANC-FIX-01.
- Stainless steel antitheft hardware.

Bike rack, ULTRAPLAST®, weight: 90 Lb.