

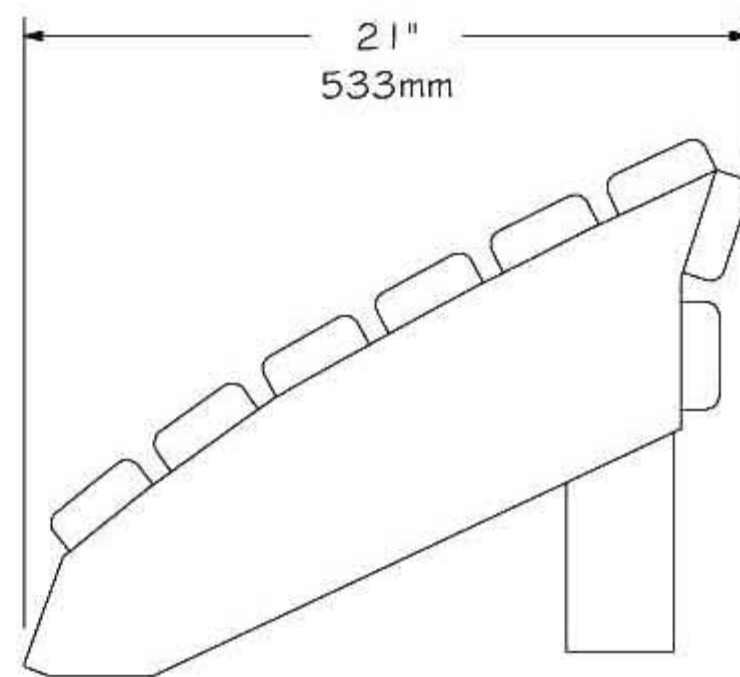
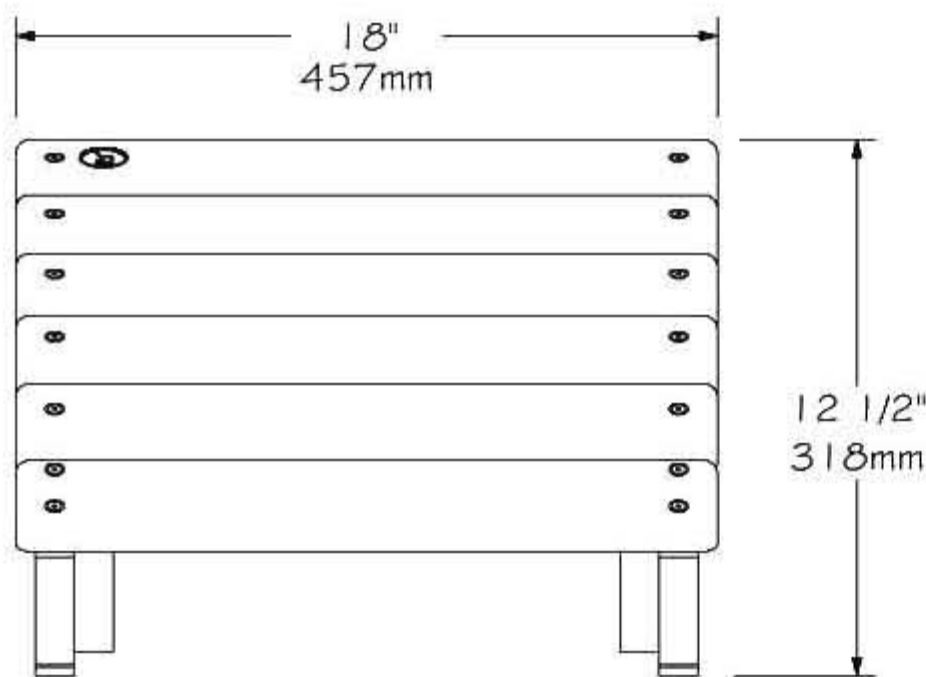
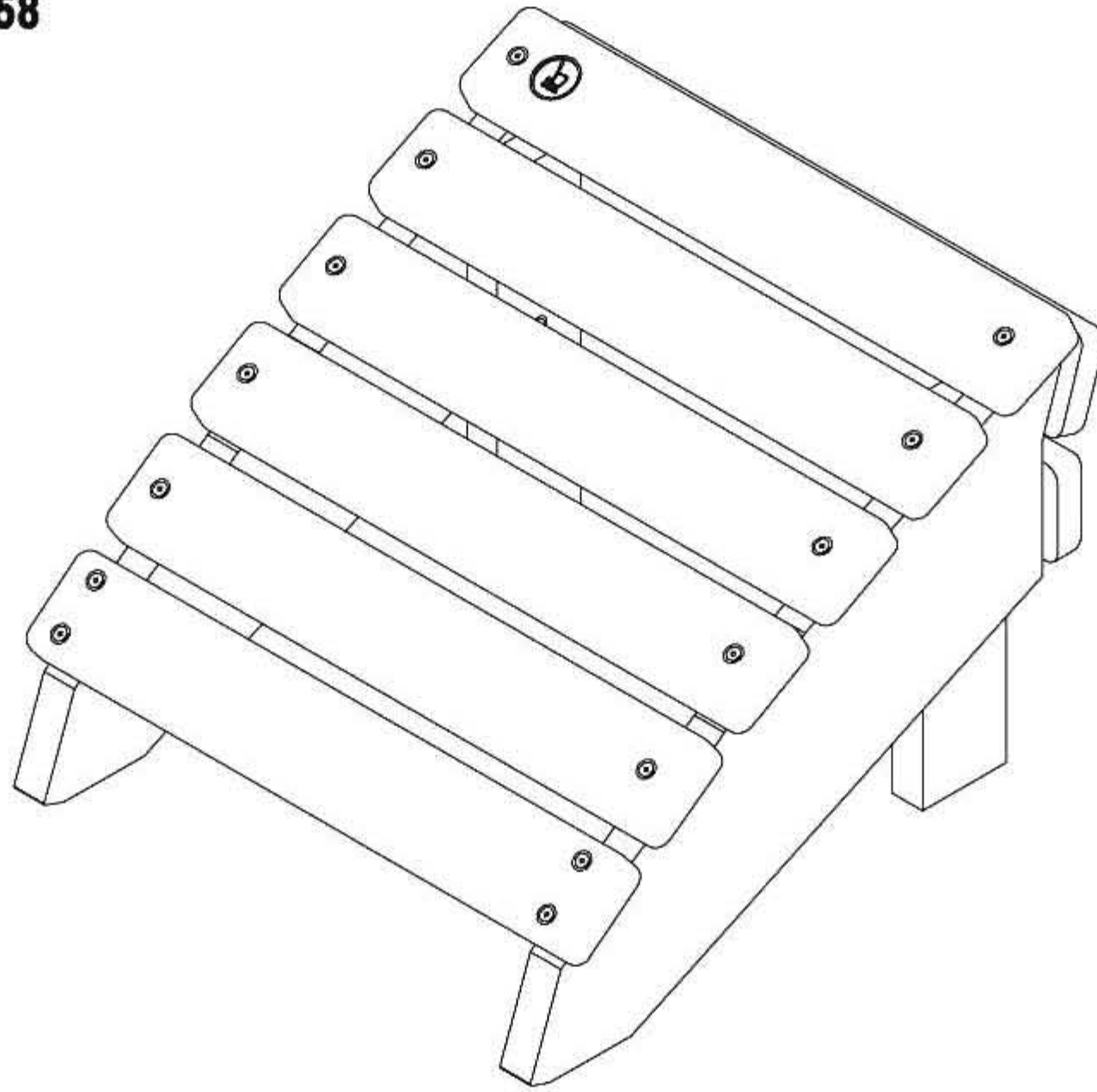
www.PublicFurniture.com

Phone: 1-888-863-2888

Fax: 1-888-863-2858

Adirondack Serie - Foot-rest

#CA1/2/8



Foot-rest #CA1, #CA2, #CA8 "Adirondack Serie"

- The foot-rest is made of ULTRAPLAST recycled plastic.
- The foot-rest slats are available in light grey (#CA1), beige (#CA2) or red wood (#CA8).
- Robustly assembled with 1" thick rounded edged slats.
- Ergonomic profile.
- Dimensions: 21" x 18" x 12 1/2" (533mm x 457mm x 318mm).
- Brass hardware.
- Available installation: surface mounted.
- Semi-assembly.

Standard installation details:

- Surface mounted.

Options:

- Assembly.

Foot-rest, ULTRAPLAST™, weight : 22 Lb.