

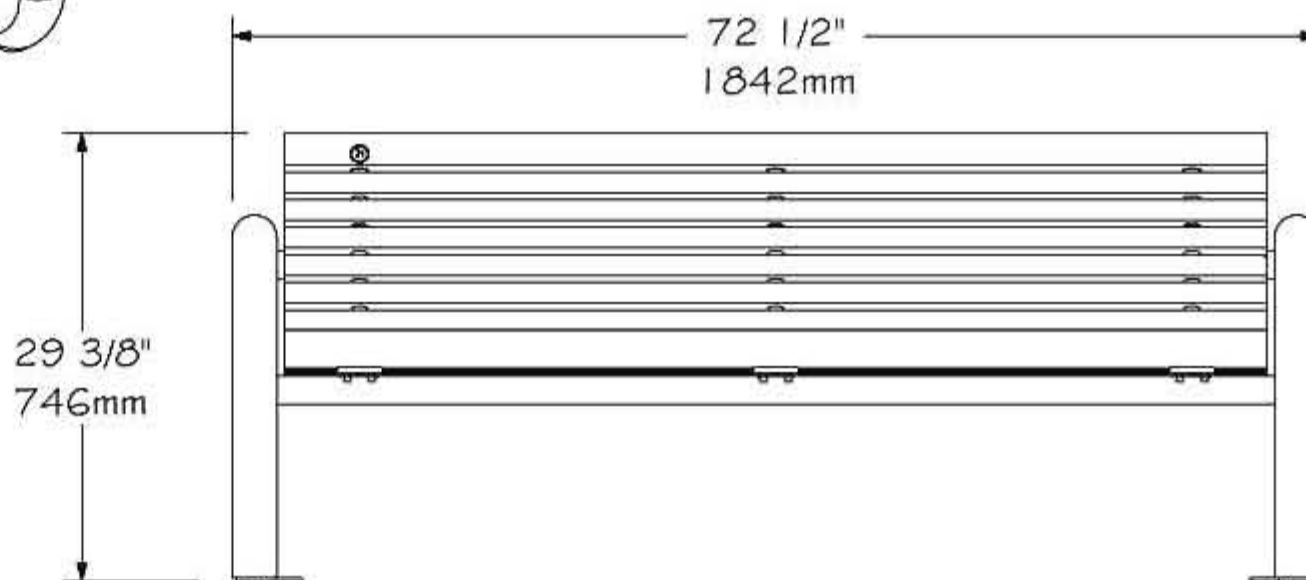
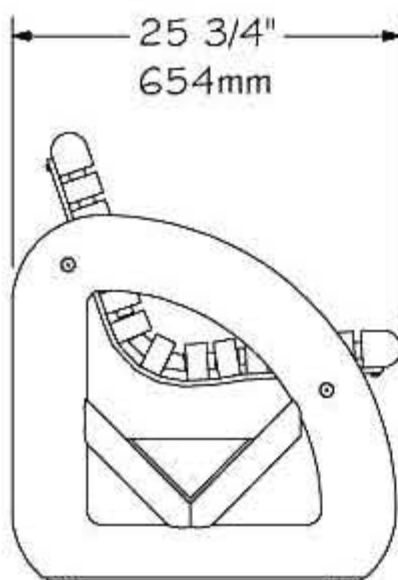
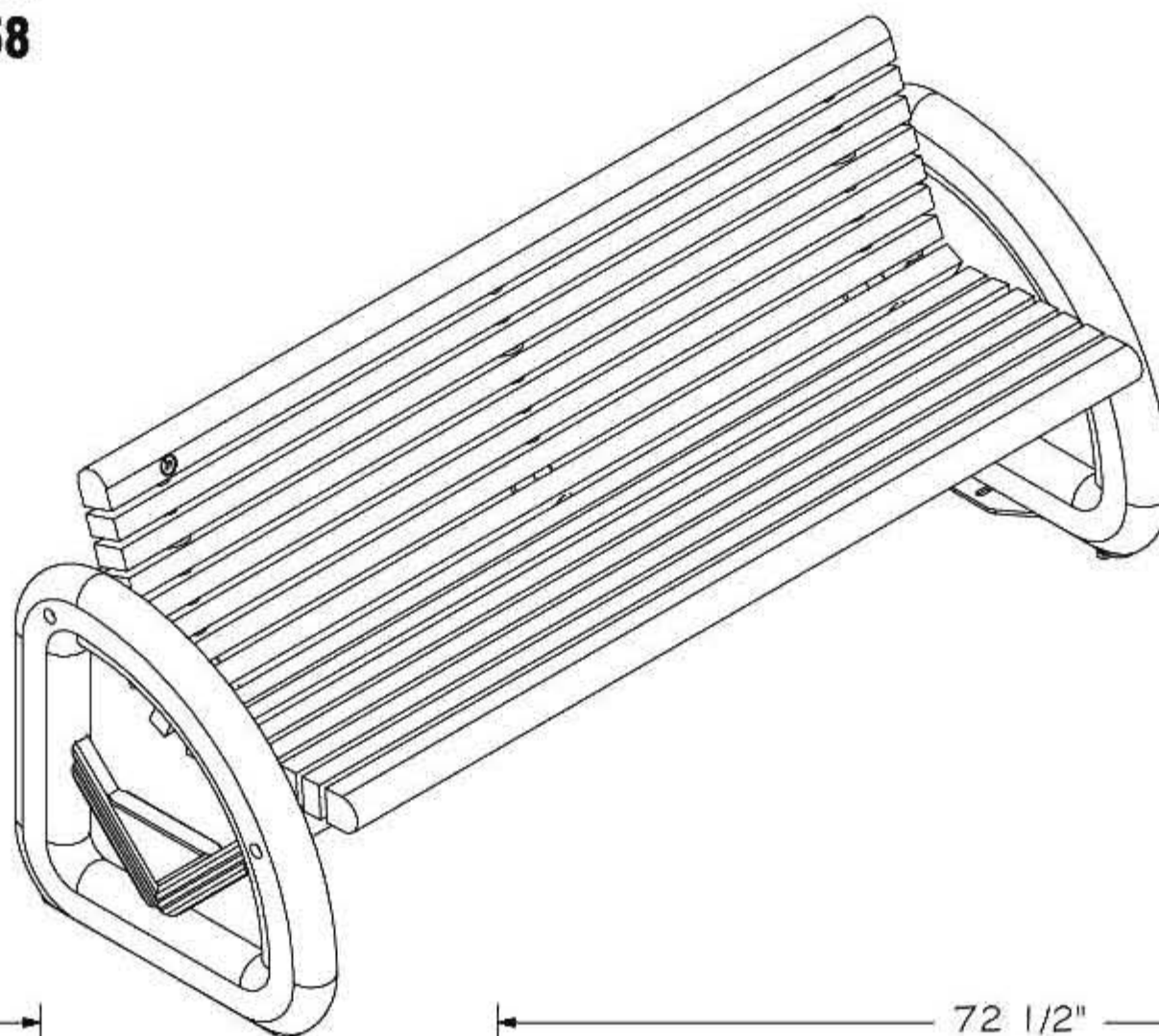
www.PublicFurniture.com

Phone: 1-888-863-2888

Fax: 1-888-863-2858

Cartier Serie - Bench 72"

#694101



Bench 72" #694101 "Cartier Serie"

- The bench is made of ULTRAPLAST™ recycled plastic and with a steel structure coated with our InfiniGuard Professional anti-corrosion system.
- The bench slats are available in grey (#694101/GR), brown (#694101/BR), green (#694101/GR), sand (#694101/SB) or red wood (#694101/RW).
- The benches slats are in 2" x 3" (37mm x 62mm) and with Bullnose profile are in 3" x 3" (62mm x 62mm).
- Legs in black ULTRAPLAST™ recycled plastic, 24" x 24" x 3" (610mm x 610mm x 76mm).
- Steel reinforced rods with nylon spacers.
- Seat structure in tubular steel, 1.9" of diameter (48mm of diameter).
- Dimensions: 72 1/2" x 25 3/4" x 29 3/8" (1842mm x 654mm x 746mm).
- Cameleon hardware.
- Stainless steel standard anchor.
- Available installation: surface mounted.
- Shipped assembly.

Standard installation details:

- Surface mounted.

Options:

- Stainless steel antitheft anchor #OAN.
- In-ground permanent anchor #ANC-FIX-01.
- Stainless steel antitheft hardware.
- Semi assembly.

Bench 72", ULTRAPLAST™, weight : 113 Kg.