

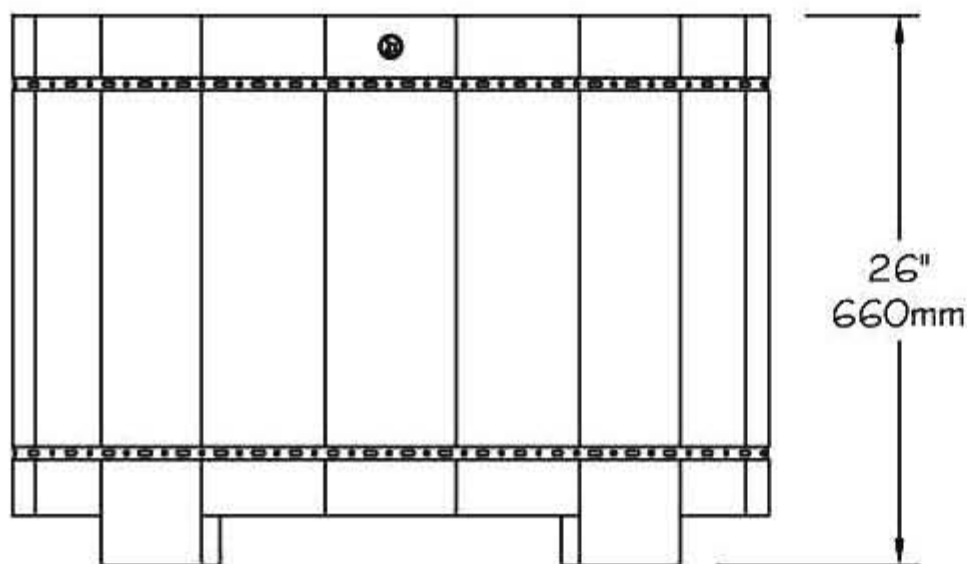
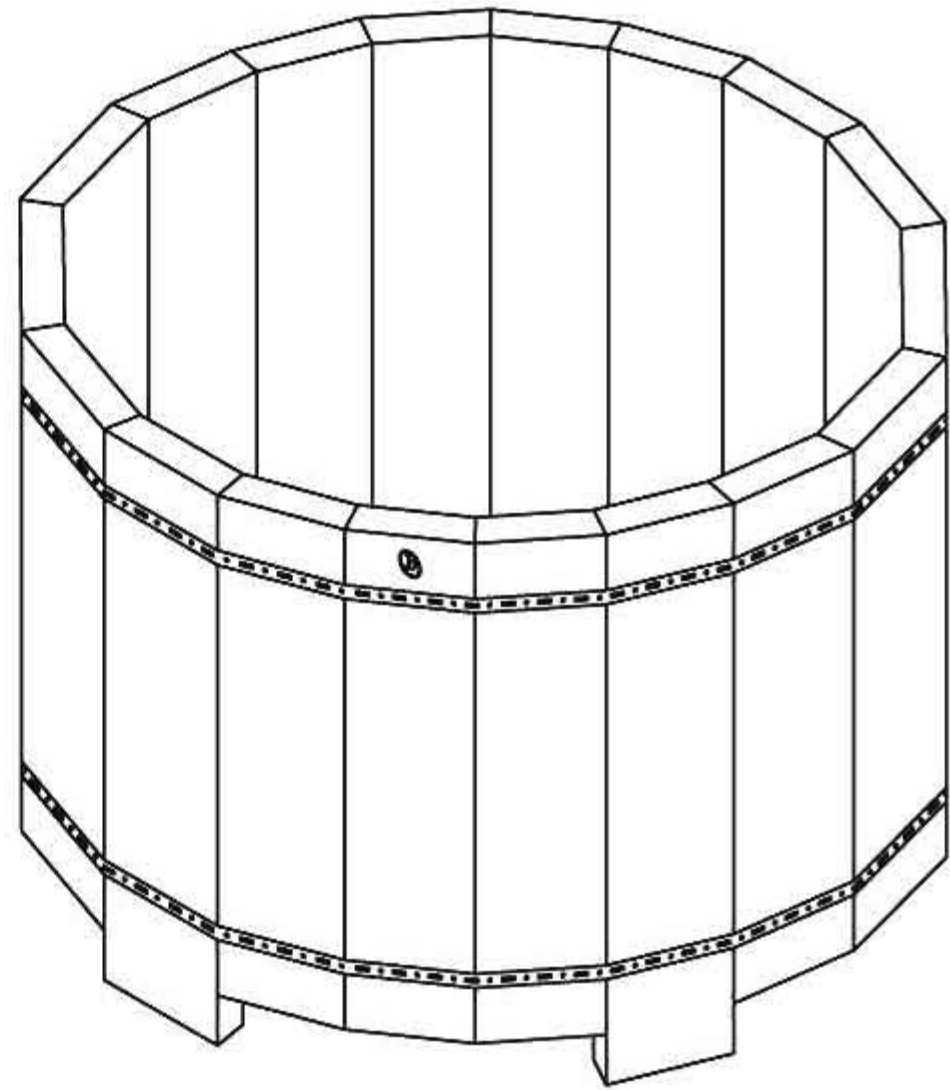
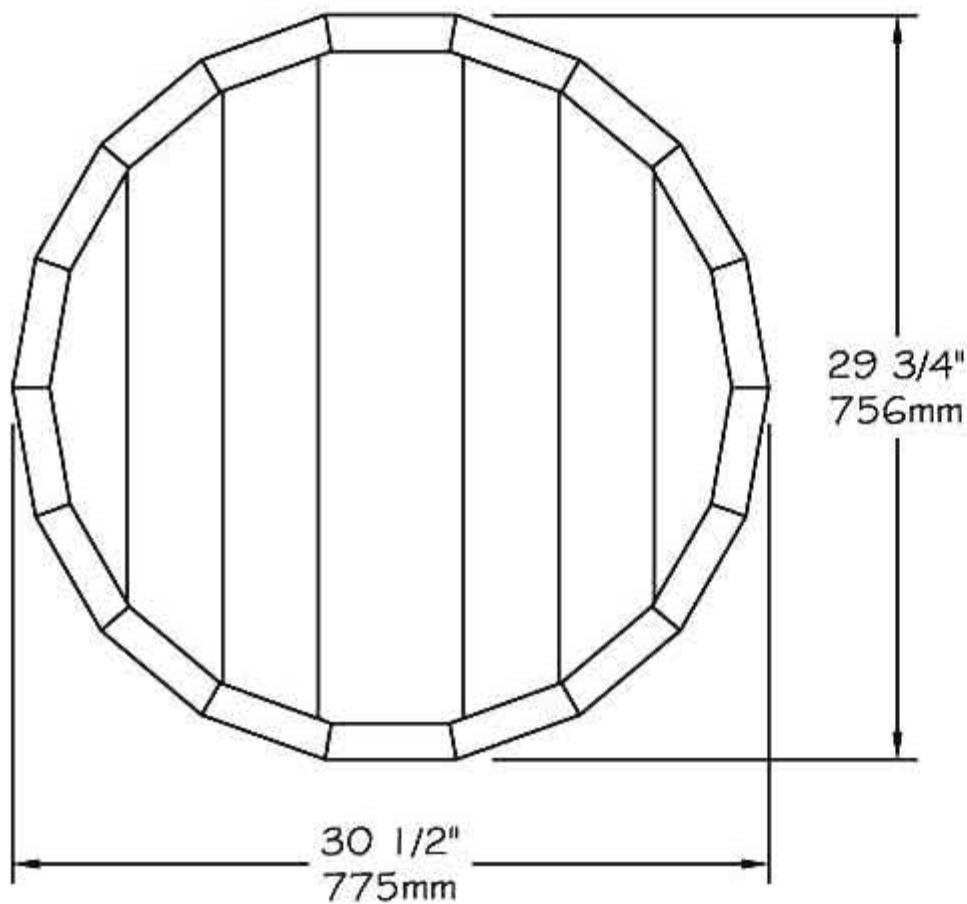
www.PublicFurniture.com

Phone: 1-888-863-2888

Fax: 1-888-863-2858

Park Serie - Polygonal flower planter 30 1/2"

#541/2/3/8/9



Polygonal flower planter 30 1/2" #541, #542, #543, #548, #549 "Park-Serie"

- The flower planter is completely made of **ULTRAPLAST™** recycled plastic.
- The bottom of flower planter is black.
- The sides of flower planter are available in grey (#541), brown (#542), green (#543), sand (#548) or red wood (#549).
- The side and bottom slats are in 2" x 6" (37mm x 137mm) in **ULTRAPLAST™** recycled plastic.
- Two stainless steel band (strip) restraint the assembly.
- Dimensions: 30 1/2" x 30 1/2" x 26" (775mm x 775mm x 660mm).
- Capacity: 40 gal. US (150 liters).
- Available installation : surface mounted.
- Shipped assembly.

Standard installation details:

- Surface mounted.

Options:

- Stainless steel standard anchor #KB.
- Stainless steel antitheft anchor #OAN.

Polygonal flower planter 30 1/2", **ULTRAPLAST™**, weight : 145 Lb.