

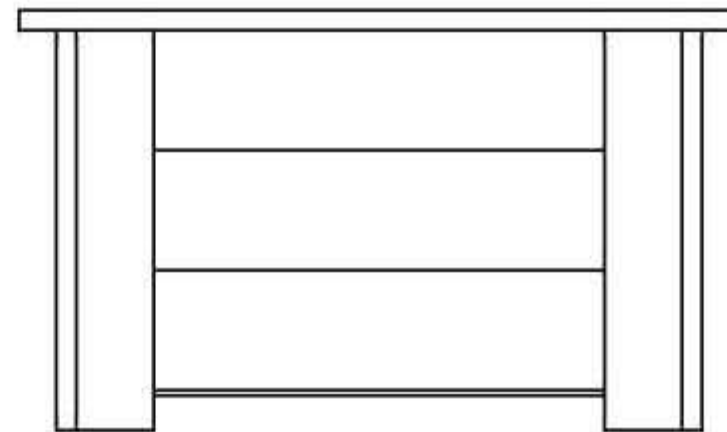
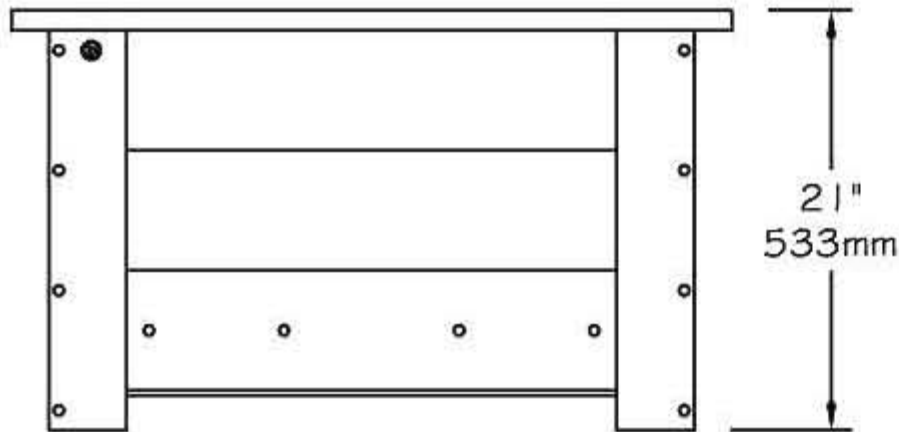
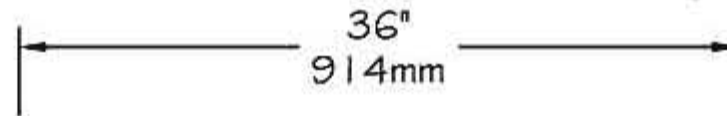
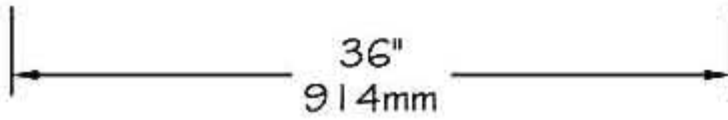
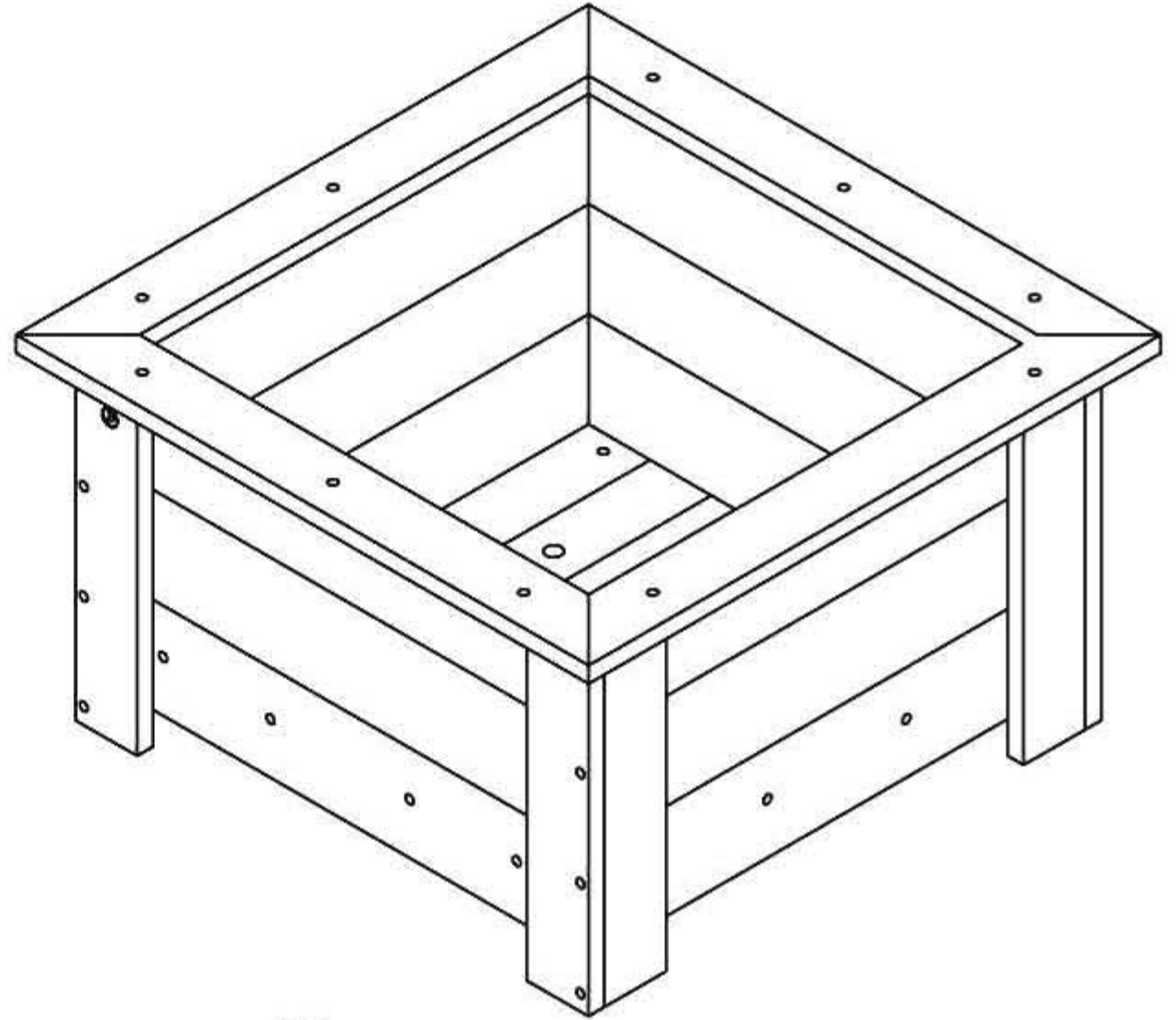
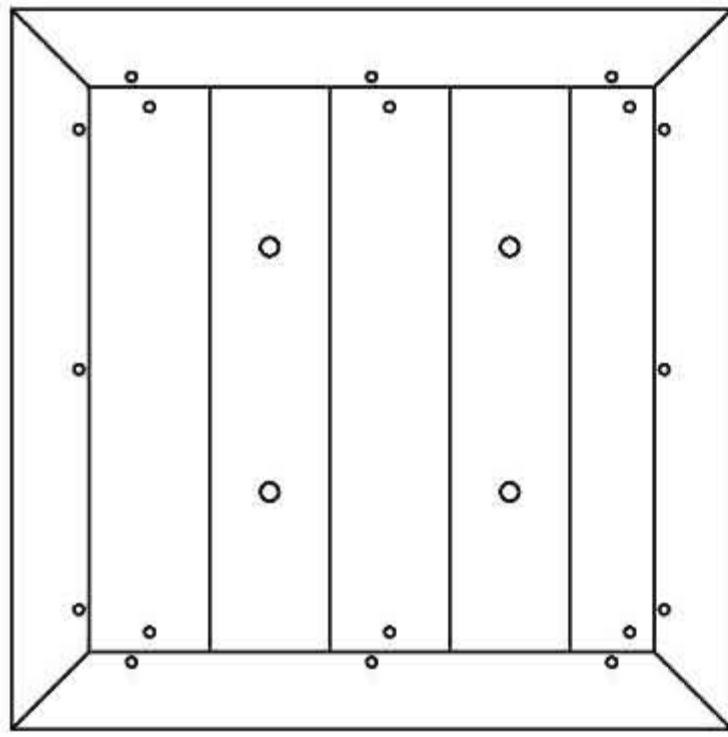
www.PublicFurniture.com

Park Serie - Square flower planter 36"x36"

Phone: 1-888-863-2888

#535/36/37/38/40

Fax: 1-888-863-2858



Square flower planter 36"x36" #535, #536, #537, #538, #540 "Park-Serie"

- The flower planter is completely made of **ULTRAPLAST™** recycled plastic.
- The bottom of flower planter is black.
- The sides of flower planter are available in grey (#536), brown (#537), green (#538), sand (#535) or red wood (#540).
- The side and bottom slats are in 1" x 6" (25mm x 149mm) in **ULTRAPLAST™** recycled plastic.
- Dimensions: 36" x 36" x 21" (914mm x 914mm x 533mm).
- Capacity: 45 gal. US (170 liters).
- Available installation : surface mounted.
- Shipped assembly.

Standard installation details:

- Surface mounted.

Options:

- Stainless steel standard anchor #KB.
- Stainless steel antitheft anchor #OAN.

Square flower planter 36"x36", **ULTRAPLAST™**, weight : 133 Lb.