

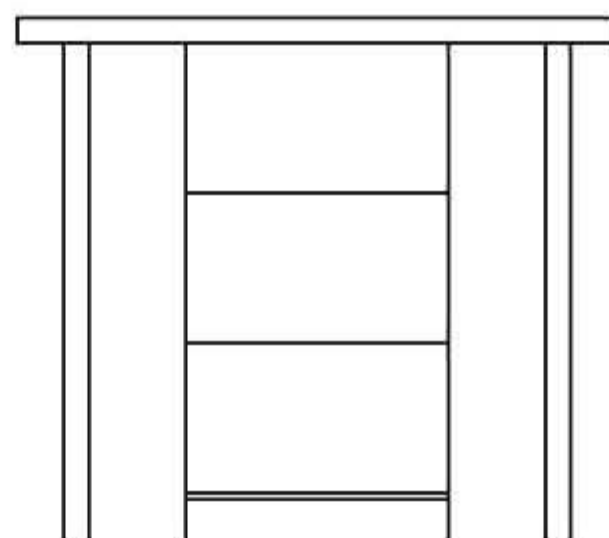
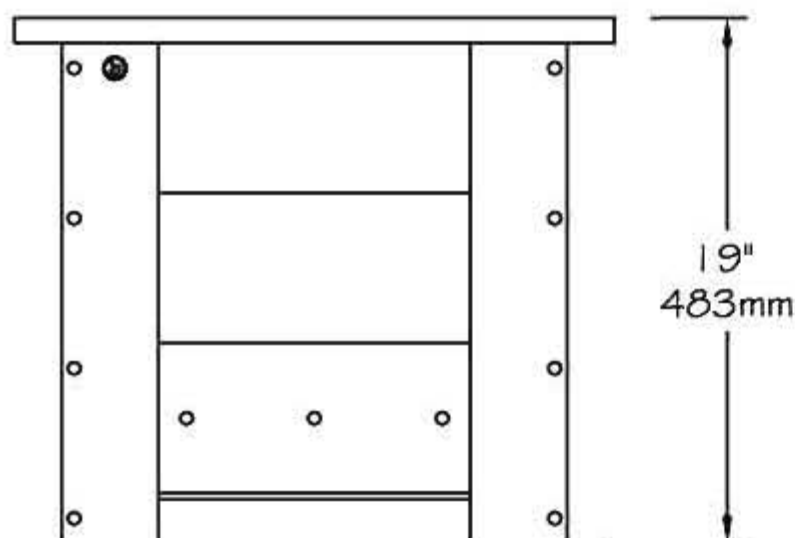
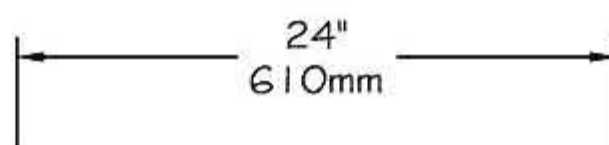
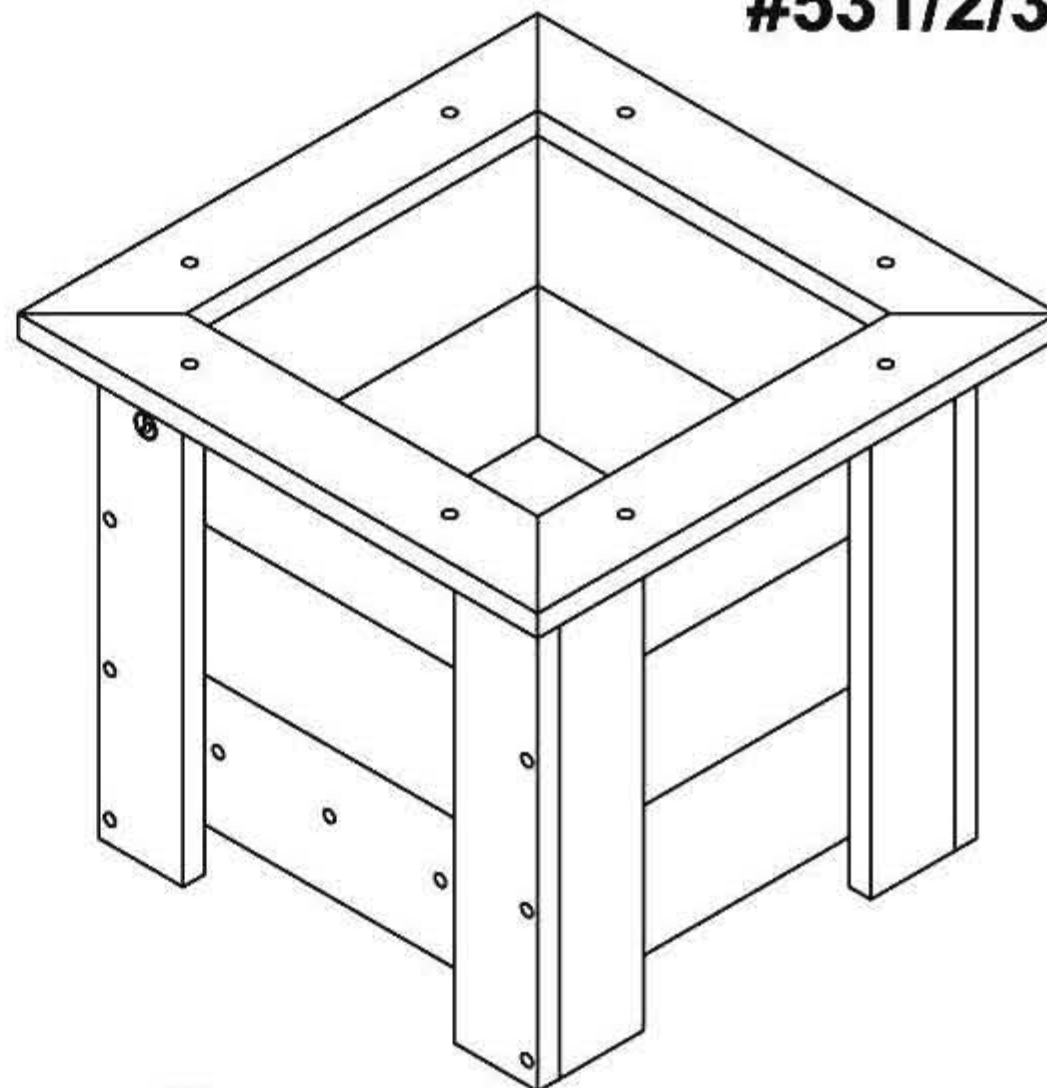
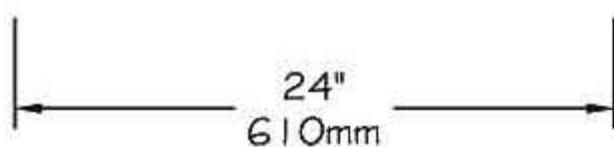
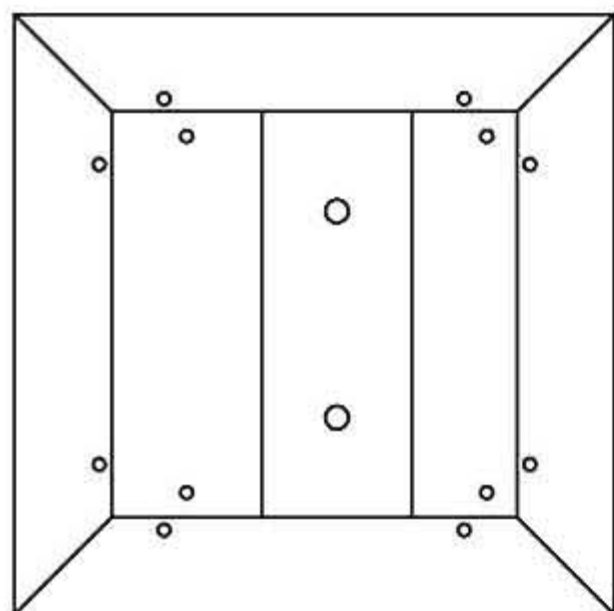
www.PublicFurniture.com

Phone: 1-888-863-2888

Fax: 1-888-863-2858

Park Serie - Square flower planter 24"x24"

#531/2/3/4/9



Square flower planter 24"x24" #531, #532, #533, #534, #539 "Park-Serie"

- The flower planter is completely made of **ULTRAPLAST™** recycled plastic.
- The bottom of flower planter is black.
- The sides of flower planter are available in grey (#531), brown (#532), green (#533), sand (#534) or red wood (#539).
- The side and bottom slats are in 2" x 6" (37mm x 137mm) in **ULTRAPLAST™** recycled plastic.
- Dimensions: 24" x 24" x 19" (610mm x 610mm x 483mm).
- Capacity: 19 gal. US (71 liters).
- Available installation : surface mounted.
- Shipped assembly.

Standard installation details:

- Surface mounted.

Options:

- Stainless steel standard anchor #KB.
- Stainless steel antitheft anchor #OAN.

Square flower planter 24"x24", **ULTRAPLAST™**, weight : 80 Lb.