

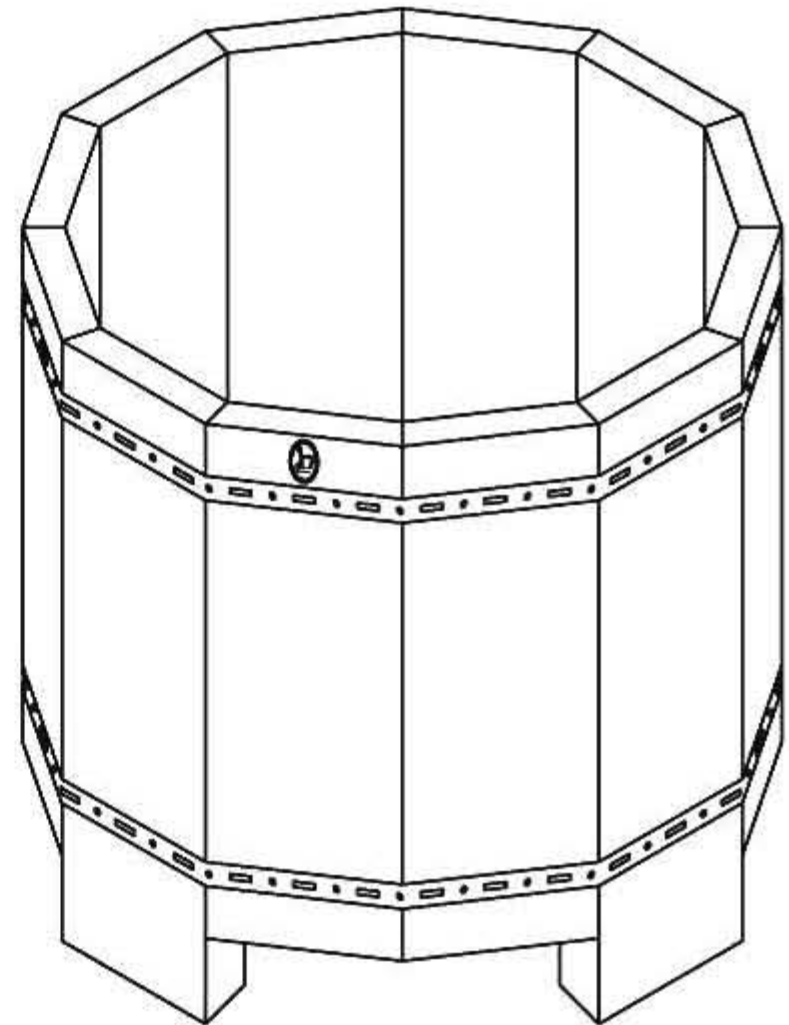
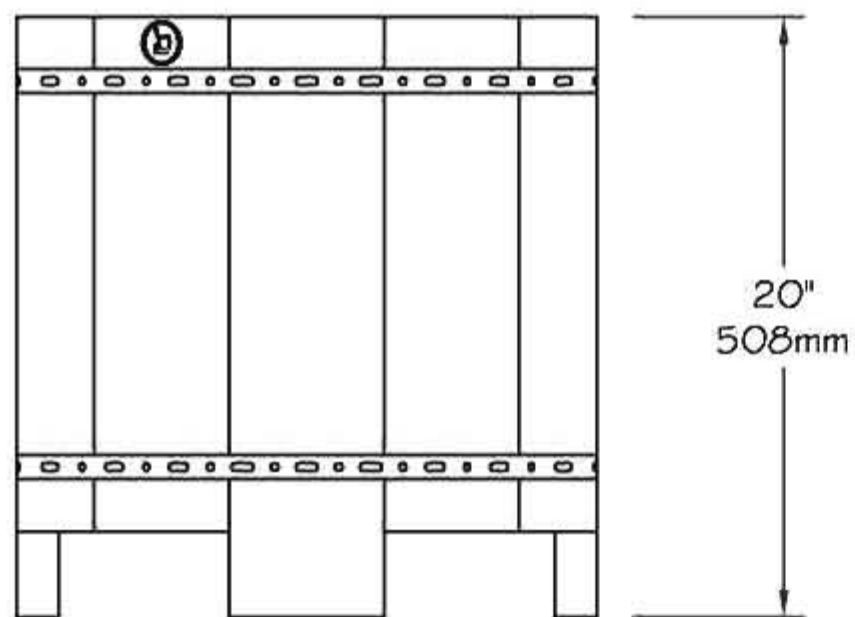
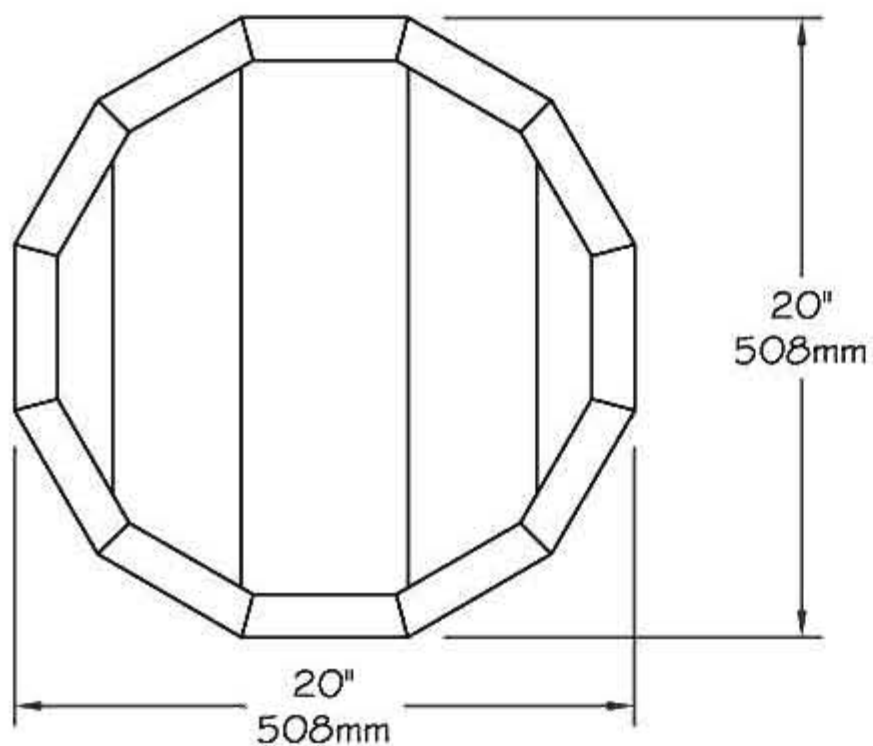
www.PublicFurniture.com

Phone: 1-888-863-2888

Fax: 1-888-863-2858

**Park Serie - Polygonal flower planter 20"**

**#520/1/2/3/4**



### **Polygonal flower planter 20" #520, #521, #522, #523, #524 "Park-Serie"**

- The flower planter is completely made of **ULTRAPLAST™** recycled plastic.
- The bottom of flower planter is black.
- The sides of flower planter are available in grey (#521), brown (#522), green (#523), sand (#524) or red wood (#520).
- The side and bottom slats are in 2" x 6" (37mm x 137mm) in **ULTRAPLAST™** recycled plastic.
- Two stainless steel band (strip) restraint the assembly.
- Dimensions: 20" x 20" x 20" (308mm x 308mm x 308mm).
- Capacity: 26 gal. US (100 liters.)
- Available installation : surface mounted.
- Shipped assembly.

#### **Standard installation details:**

- Surface mounted.

#### **Options:**

- Stainless steel standard anchor #KB.
- Stainless steel antitheft anchor #OAN.

Polygonal flower planter 20", **ULTRAPLAST™**, weight : 75 Lb.