

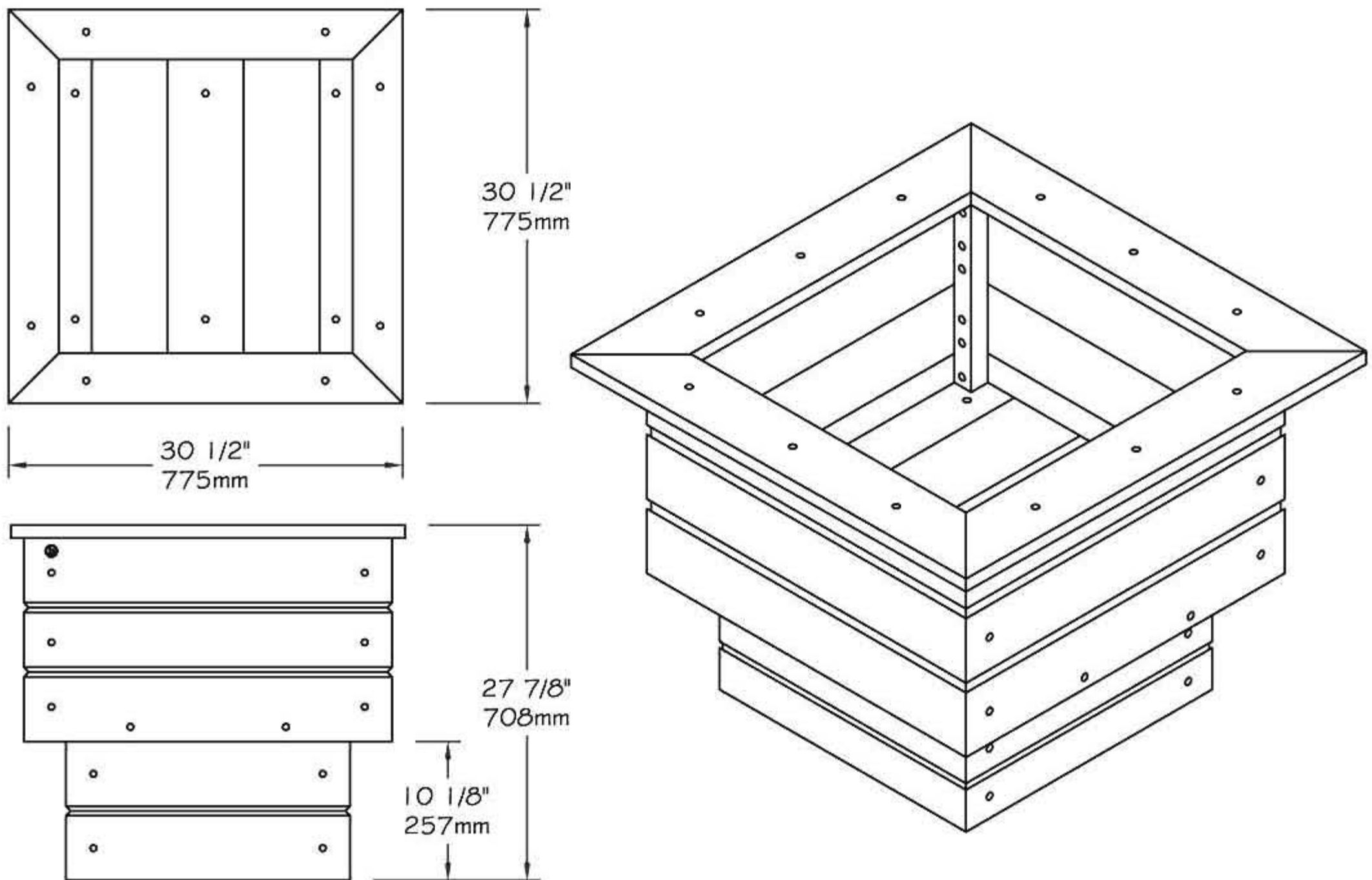
www.PublicFurniture.com

Phone: 1-888-863-2888

Fax: 1-888-863-2858

Park Serie - Pedestal flower planter 30"x30"

#515/6/7/8/9



Pedestal flower planter 30"x30" #515, #516, #517, #518, #519 "Park-Serie"

- The flower planter is completely made of **ULTRAPLAST™** recycled plastic.
- The bottom of flower planter is black.
- The sides of flower planter are available in grey (#516), brown (#517), green (#518), sand (#515) or red wood (#519).
- The side and bottom slats are in 2" x 6" (37mm x 137mm) in **ULTRAPLAST™** recycled plastic.
- Dimensions: 30 1/2" x 30 1/2" x 27 7/8" (775mm x 775mm x 708mm).
- Capacity: 72 gal. US (159 liters).
- Available installation : surface mounted.
- Shipped assembly.

Standard installation details:

- Surface mounted.

Options:

- Stainless steel standard anchor #KB.
- Stainless steel antitheft anchor #OAN.

Pedestal flower planter 30"x30", ULTRAPLAST™, weight : 190 Lb.