

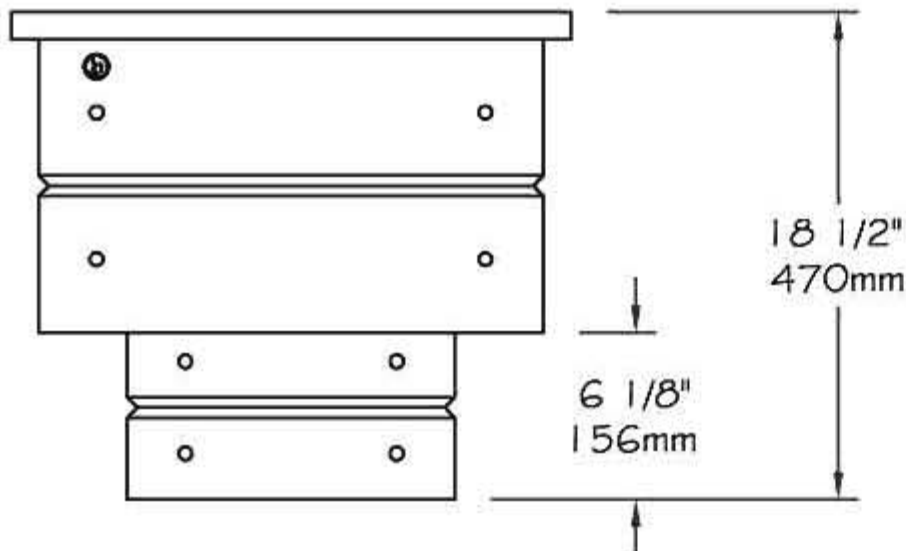
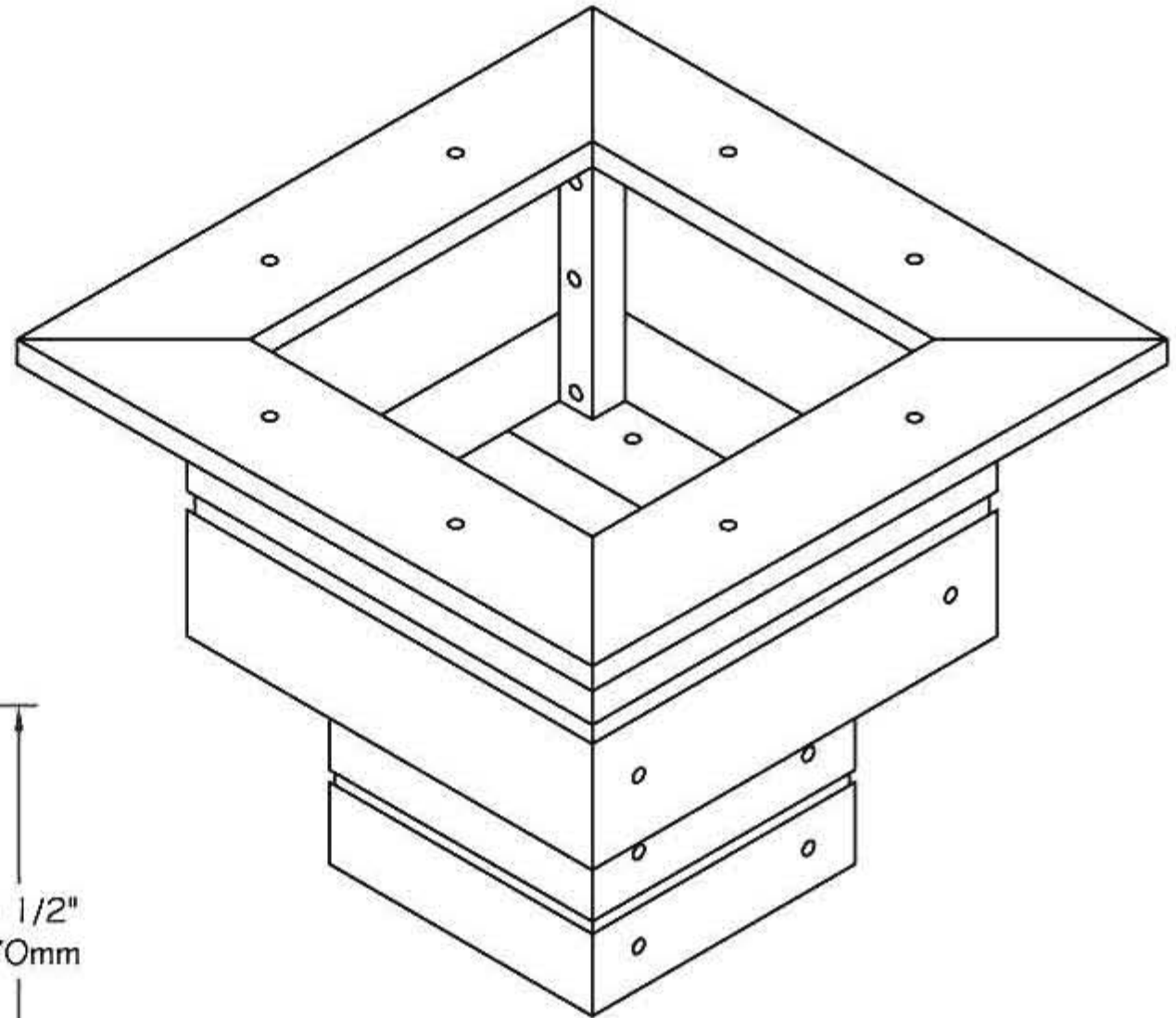
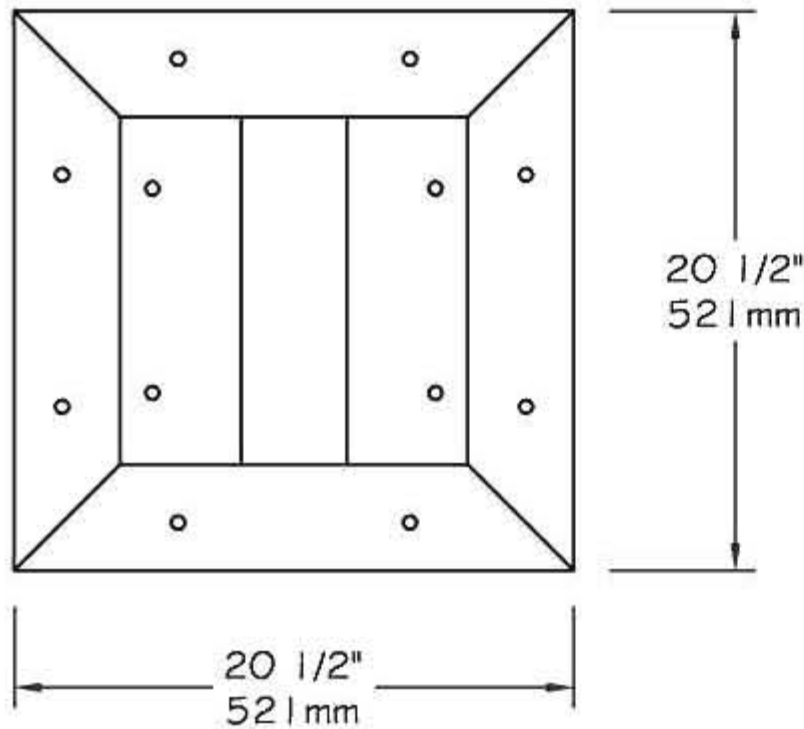
www.PublicFurniture.com

Phone: 1-888-863-2888

Fax: 1-888-863-2858

**Park Serie - Pedestal flower planter 20"x20"**

**#510/1/2/3/4**



### **Pedestal flower planter 20"x20" #510, #511, #512, #513, #514 "Park-Serie"**

- The flower planter is completely made of **ULTRAPLAST™** recycled plastic.
- The bottom of flower planter is black.
- The sides of flower planter are available in grey (#521), brown (#522), green (#523), sand (#524) or red wood (#520).
- The side and bottom slats are in 2" x 6" (37mm x 137mm) in **ULTRAPLAST™** recycled plastic.
- Dimensions: 20 1/2" x 20 1/2" x 18 1/2" (521mm x 521mm x 470mm).
- Capacity: 7.4 gal. US (28 liters).
- Available installation : surface mounted.
- Shipped assembly.

#### **Standard installation details:**

- Surface mounted.

#### **Options:**

- Stainless steel standard anchor #KB.
- Stainless steel antitheft anchor #OAN.

Pedestal flower planter 20"x20", **ULTRAPLAST™**, weight : 190 Lb.