

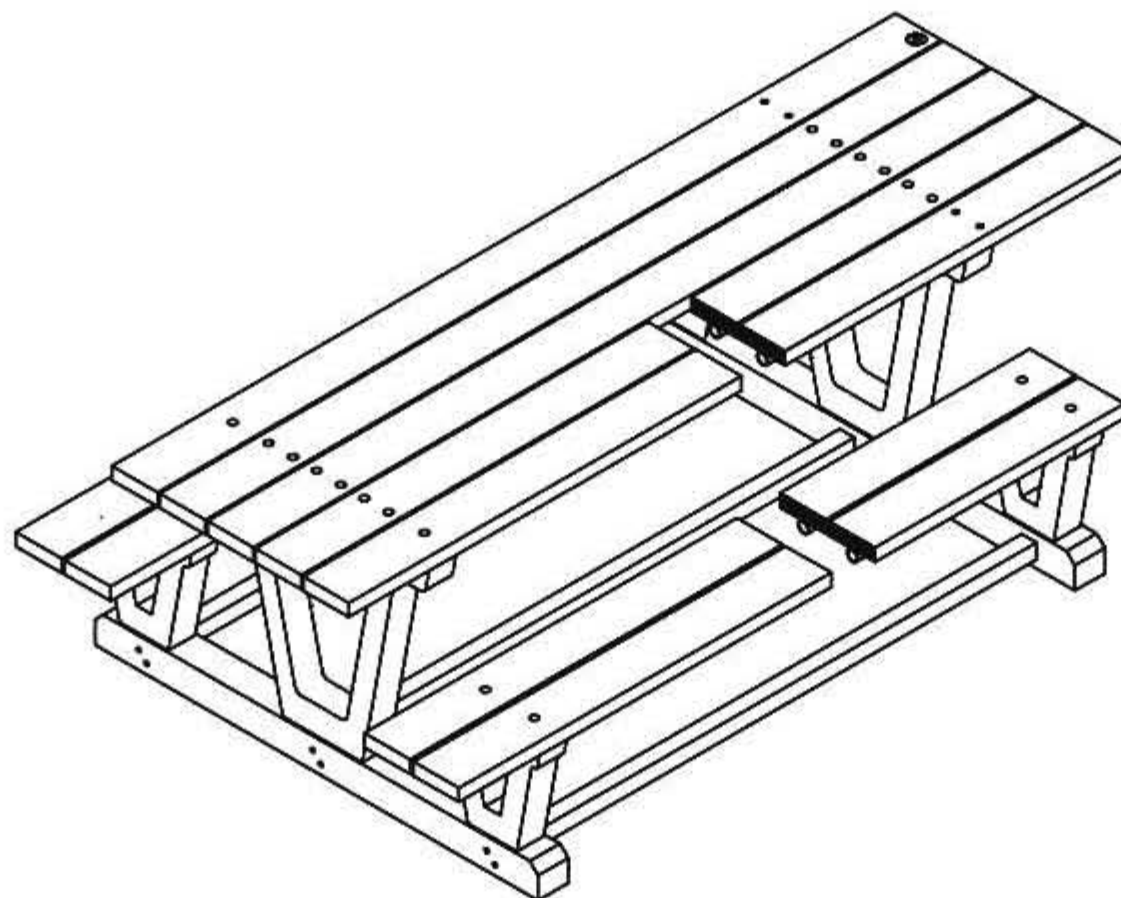
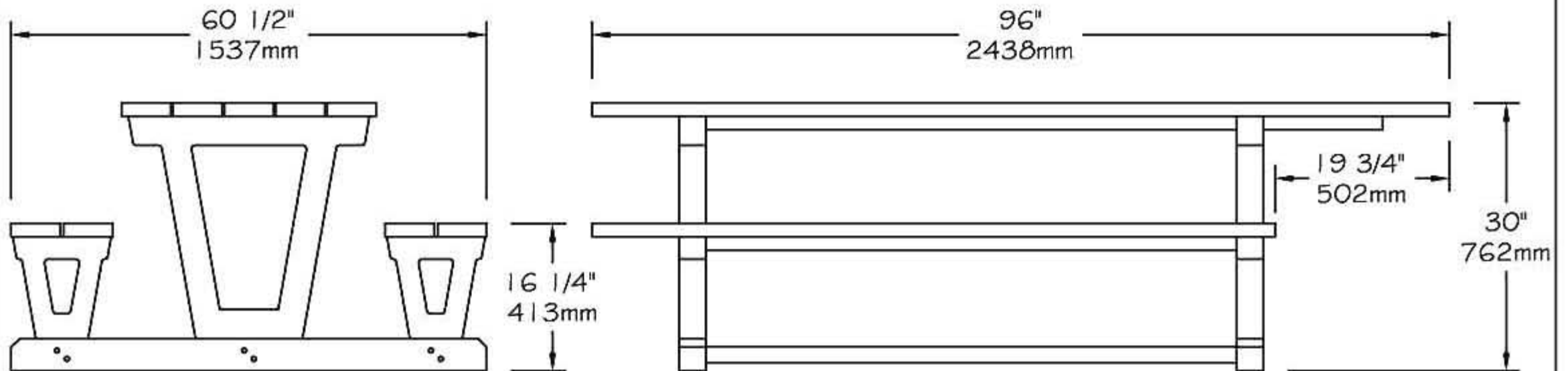
www.PublicFurniture.com

Phone: 1-888-863-2888

Fax: 1-888-863-2858

Park Serie - Wheelchair picnic table

#470/1/3/4/8



Wheelchair picnic table #470, #471, #473, #474, #478 "Park-Serie"

- The table is completely made of **ULTRAPLAST™** recycled plastic.
- The table structure is black and the slats are available in grey (#470), brown (#471), green (#474), sand (#478) or red wood (#473).
- The seat slats, 2" x 6" (37mm x 137mm) in **ULTRAPLAST™** recycled plastic, are reinforced with a aluminium pipe Ø 1 5/16" x 60" (Ø49mm x 1524mm).
- The table slats, 2" x 6" (37mm x 137mm) in **ULTRAPLAST™** recycled plastic, are reinforced with a aluminium pipe Ø 1 5/16" x 78" (Ø49mm x 1981mm).
- The legs are made of black **ULTRAPLAST™** recycled plastic. Machine screws are inserted in the plastic during molding to fix the table and seat slats.
- Hidden Hardware.
- Dimensions: 96" x 60 1/2" x 30" (2437mm x 1537mm x 762mm).
- Available installation : surface mounted.
- Shipped ready to be assembled.

Standard installation details:

- Surface mounted.

Options:

- Stainless steel standard anchor #KB.
- Stainless steel antitheft anchor #OAN.
- Factory assembly.

Wheelchair picnic table, **ULTRAPLAST™**, weight : 353 Lb.