

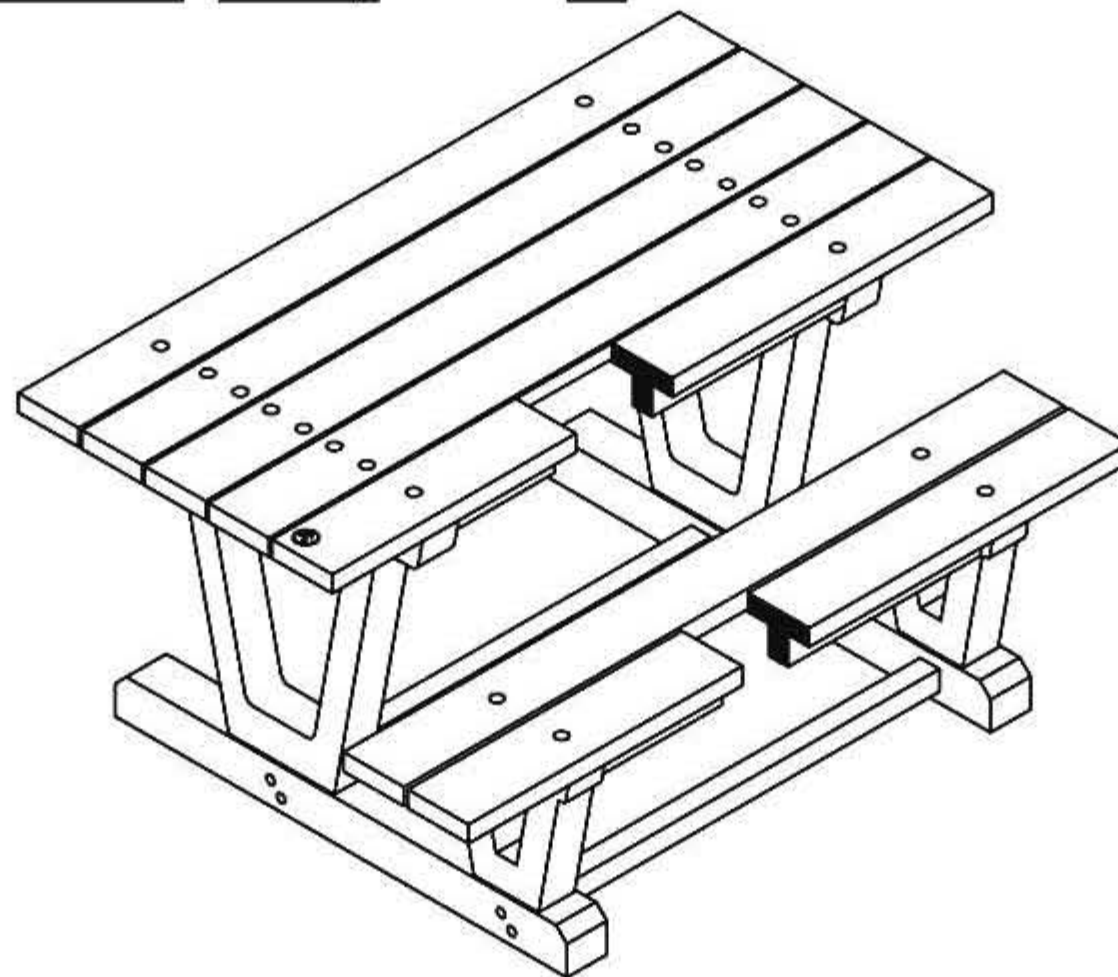
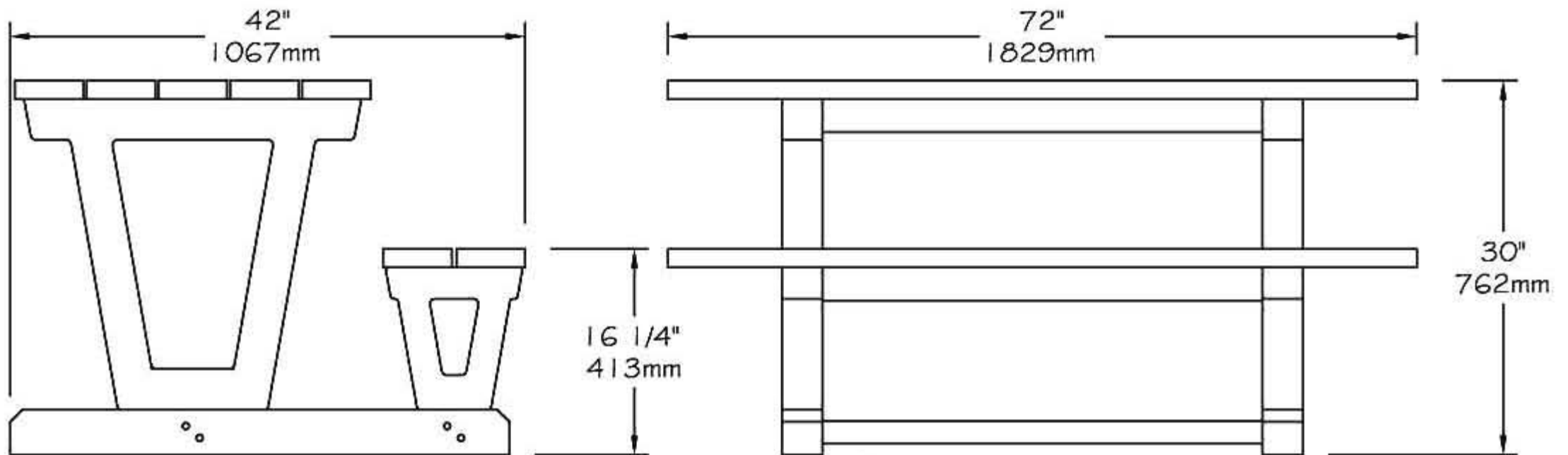
www.PublicFurniture.com

**Park Serie - Wheelchair picnic table**

Phone: 1-888-863-2888

**#450/1/2/4/8**

Fax: 1-888-863-2858



## **Wheelchair picnic table #450, #451, #452, #454, #458 "Park-Série"**

- The table is completely made of **ULTRAPLAST™** recycled plastic.
- The table structure is black and the slats are available in grey (#450), brown (#452), green (#454), sand (#458) or red wood (#451).
- The seat and table slats, 2" x 6" (37mm x 137mm) in **ULTRAPLAST™** recycled plastic, are reinforced with a black slats 2" x 3" (37mm x 62mm).
- The legs are made of black **ULTRAPLAST™** recycled plastic. Machine screws are inserted in the plastic during molding to fix the table and seat slats.
- Hidden Hardware.
- Dimensions: 72" x 42" x 30" (1829mm x 1067mm x 762mm).
- Available installation : surface mounted.
- Shipped ready to be assembled.

### **Standards installation detail:**

- Surface mounted.

### **Options:**

- Stainless steel standard anchor #KB.
- Stainless steel antitheft anchor #OAN.
- Factory assembly.

Wheelchair picnic table, **ULTRAPLAST™**, weight : 235 Lb.