

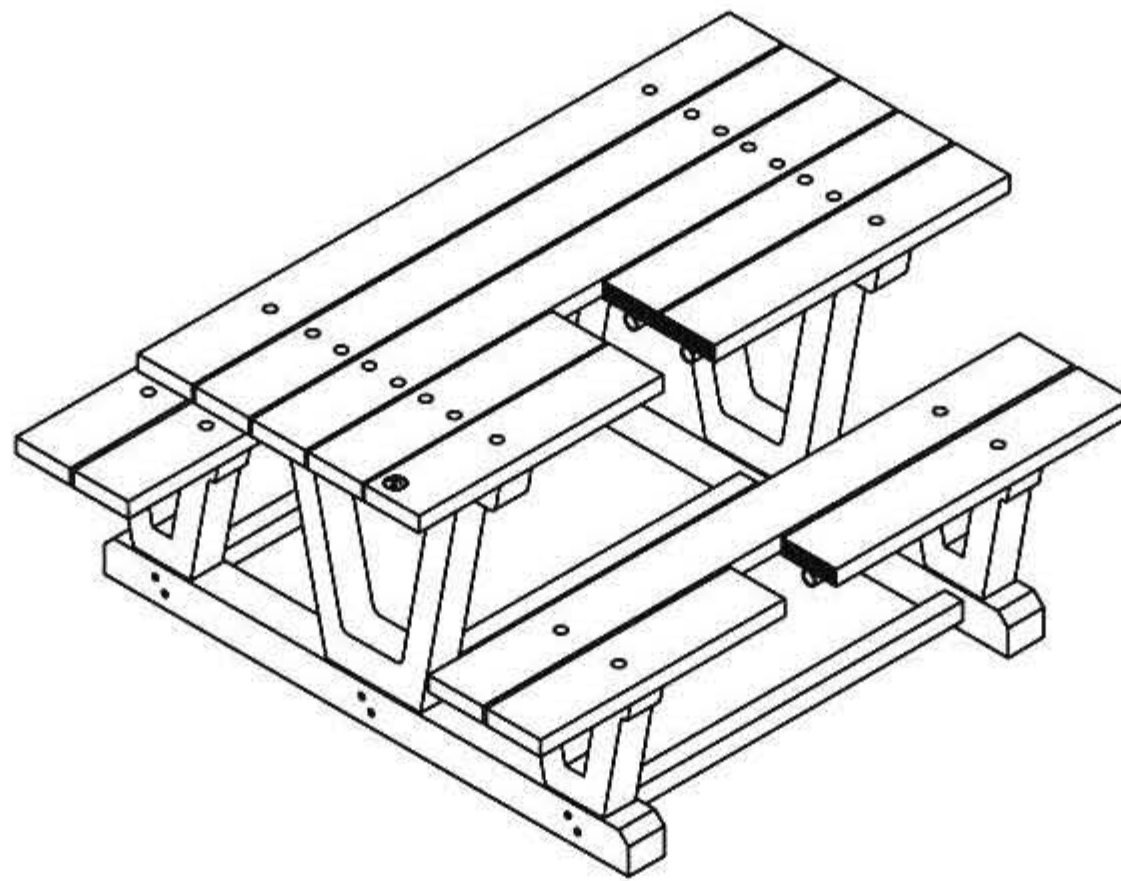
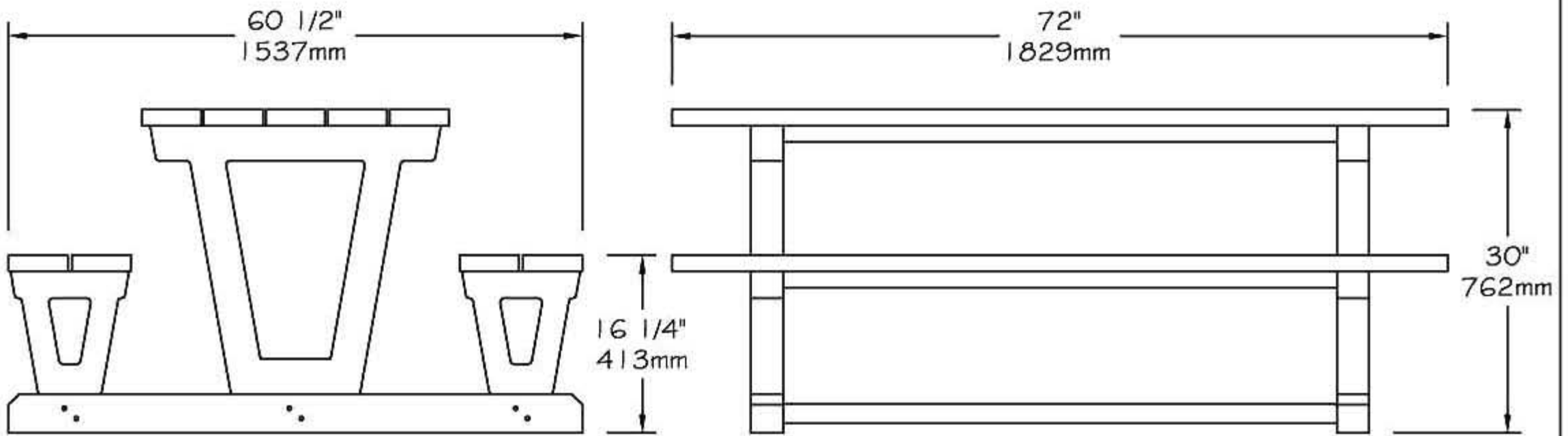
www.PublicFurniture.com

Phone: 1-888-863-2888

Fax: 1-888-863-2858

**Park Serie - Picnic table**

**#410/1/2/4/8**



## **Picnic table #410, #411, #412, #414, #418 "Park-Serie"**

- The table is completely made of **ULTRAPLAST™** recycled plastic.
- The table structure is black and the slats are available in grey (#410), brown (#412), green (#414), sand (#418) or red wood (#411).
- The seat and table slats, 2" x 6" (37mm x 137mm) in **ULTRAPLAST™** recycled plastic, are reinforced with a black plastic pipe Ø1 1/4" x 48" (Ø32mm x 1219mm).
- The legs are made of black **ULTRAPLAST™** recycled plastic. Machine screws are inserted in the plastic during molding to fix the table and seat slats.
- Hidden Hardware.
- Dimensions: 72" x 60 1/2" x 30" (1829mm x 1537mm x 762mm).
- Available installation : surface mounted.
- Shipped ready to be assembled.

### **Standard installation details:**

- Surface mounted.

### **Options:**

- Stainless steel standard anchor #KB.
- Stainless steel antitheft anchor #OAN.
- Factory assembly.

Picnic table, **ULTRAPLAST™**, weight : 306 Lb.