

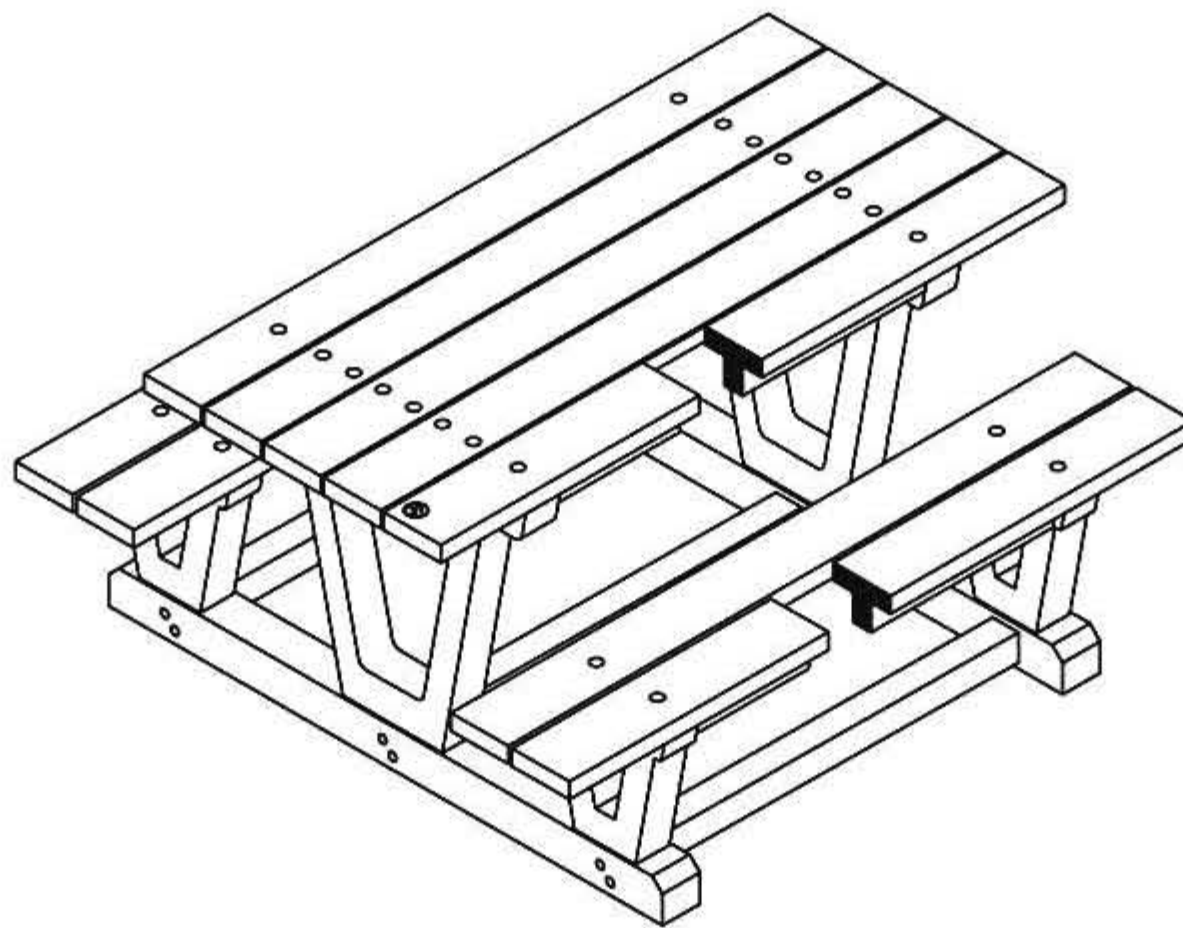
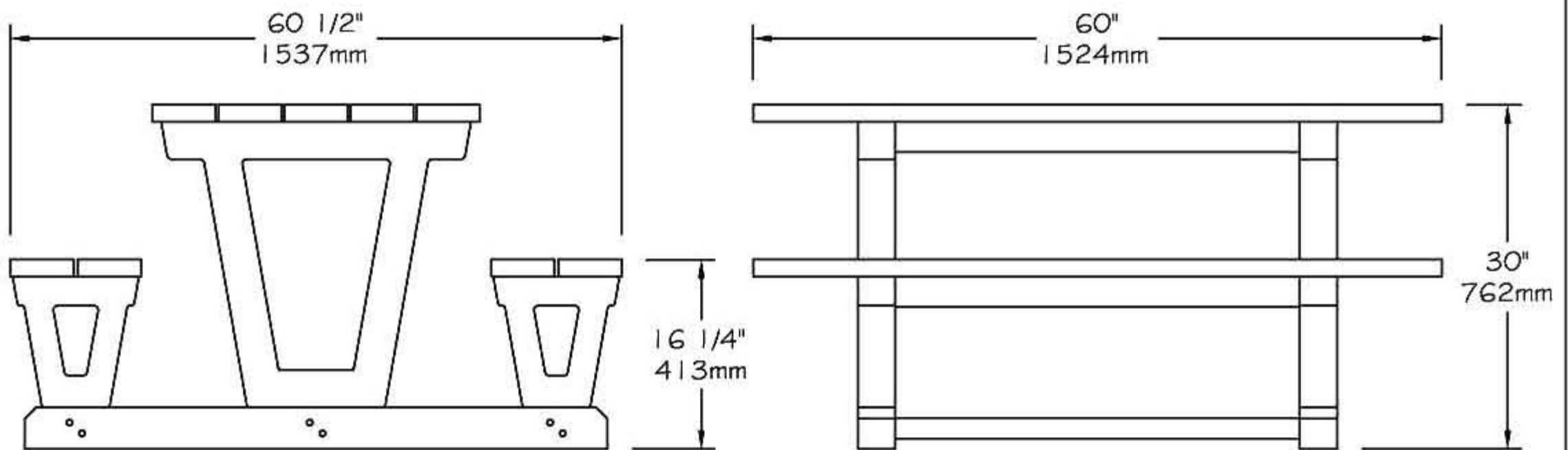
www.PublicFurniture.com

Phone: 1-888-863-2888

Fax: 1-888-863-2858

Park Serie - Picnic table

#350/1/2/4/8



Picnic table #350, #351, #352, #354, #358 "Park-Serie"

- The table is completely made of **ULTRAPLAST™** recycled plastic.
- The table structure is black and the slats are available in grey (#350), brown (#352), green (#354), sand (#358) or red wood (#351).
- The seat and table slats, 2" x 6" (37mm x 137mm) in **ULTRAPLAST™** recycled plastic, are reinforced with a black slats 2" x 3" (37mm x 62mm).
- The legs are made of black **ULTRAPLAST™** recycled plastic. Machine screws are inserted in the plastic during molding to fix the table and seat slats.
- Hidden Hardware.
- Dimensions: 60" x 60 1/2" x 30" (1524mm x 1537mm x 762mm).
- Available installation : surface mounted.
- Shipped ready to be assembled.

Standard installation details:

- Surface mounted.

Options:

- Stainless steel standard anchor #KB.
- Stainless steel antitheft anchor #OAN.
- Factory assembly.

Picnic table, **ULTRAPLAST™**, weight : 305 Lb.