

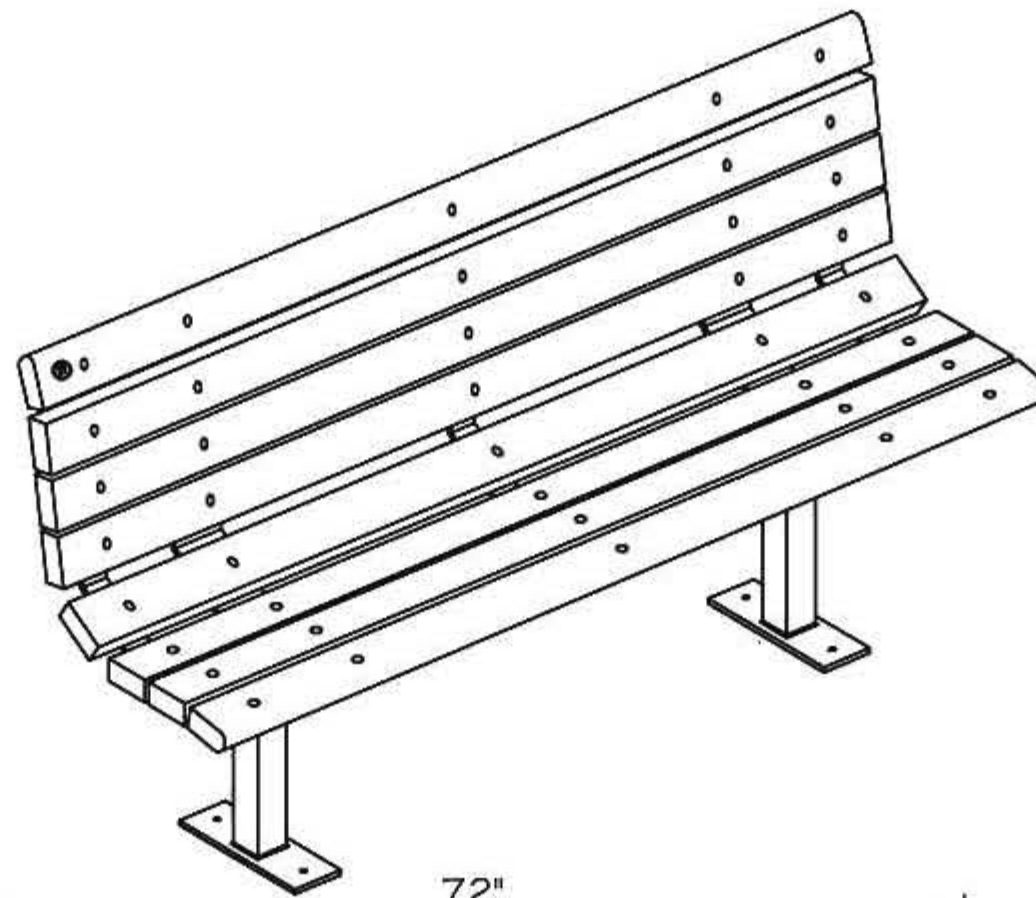
www.PublicFurniture.com

Phone: 1-888-863-2888

Fax: 1-888-863-2858

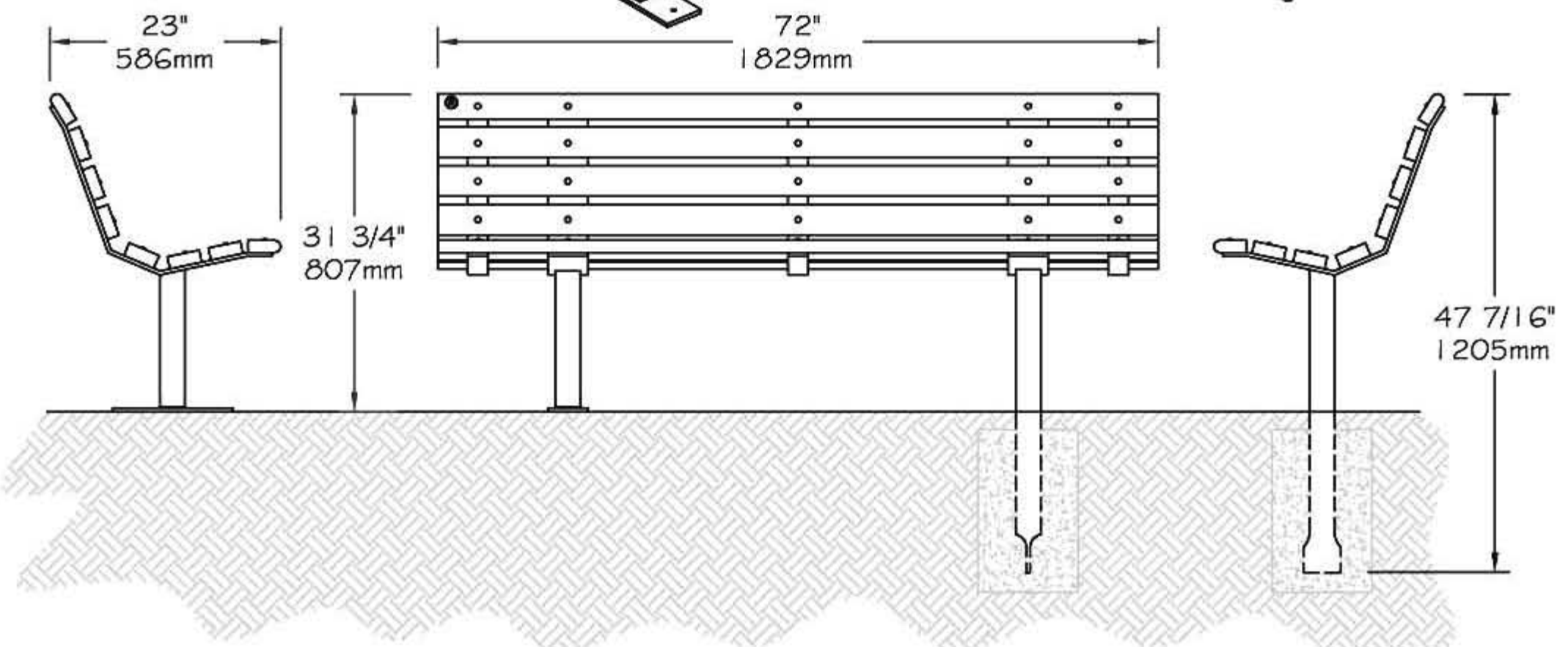
Contour Serie - Bench 72"

#230/2/3/4/8



Surface mounted

In-ground mounted



### **Bench 72" #230,#232,#233,#234,#238 "Contour Serie"**

- The slats bench is completely made of **ULTRAPLAST™** recycled plastic and the structure is in steel.
- The seat and backrest slats are available in grey (#230), brown (#232), green (#234), sand (#238) or red wood (#233).
- The bench is composed with slats 2" x 4" (37mm x 86mm) and with Bullnose slats 2" x 4" (37mm x 86mm).
- The structure is coated with our InfiGuard Professional anti-corrosion system.
- The tubular steel legs, 2 1/2" x 2 1/2" (67mm x 67mm).
- Flat steel seat reinforcement, 5/16" x 2" (8mm x 51mm).
- Dimensions: 72" x 23" x 31 3/4" (1829mm x 586mm x 807mm).
- Stainless steel hardware.
- Hardware visible or invisible.
- Available installation : surface mounted or in-ground.
- Shipped ready to be assembly.

#### **Standard installation details:**

- Surface mounted.
- In-ground.

#### **Options:**

- Stainless steel standard anchor #KB.
- Stainless steel antitheft anchor #OAN.
- Armrest #OPH.
- Factory assembly.

Bench 72", ULTRAPLAST™, weight : 152 Lb.