

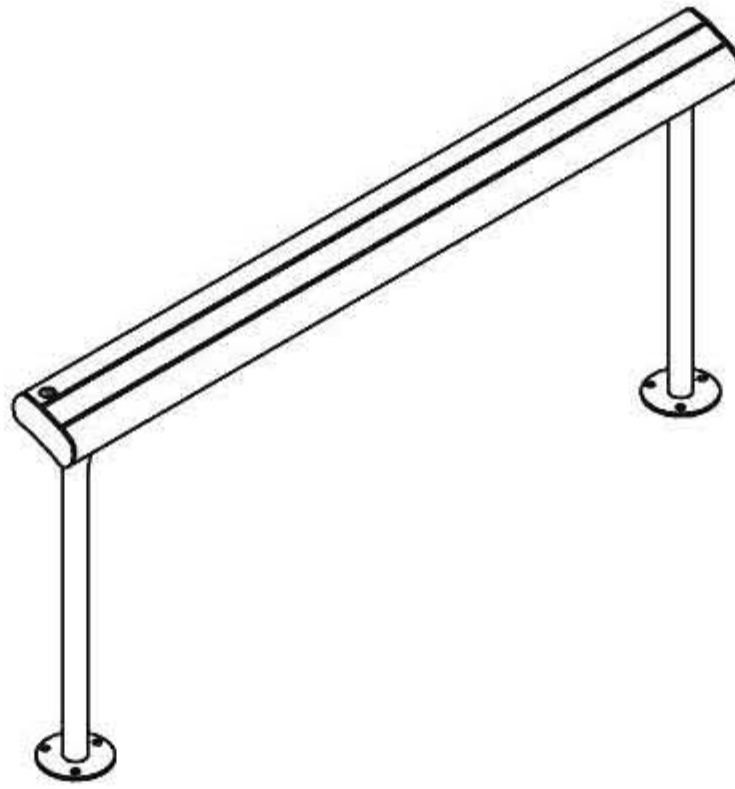
www.PublicFurniture.com

Public Place Serie - Station bench 72"

Phone: 1-888-863-2888

#194161

Fax: 1-888-863-2858



Surface mounted

In-ground mounted

8 1/8"
206mm

71 1/2"
1816mm

35 3/16"
894mm

52 15/16"
1345mm

Station bench 72" #194161 "Public Place Serie"

- The slats bench is made of **ULTRAPLAST™** recycled plastic and structure is made of steel.
- The bench slats are available in grey (#194161/GR), brown (#194161/BR), green (#194161/GR), sand (#194161/SB) or red wood (#194161/RW).
- The bench slats are in 2" x 3" (37mm x 62mm) and with Bullnose 3" x 3" (62mm x 62mm).
- Tubular steel legs, 1.9" of diameter (48mm of diameter) with our InfiGuard Professional anti-corrosion system.
- Flat steel seat support, 1/4" x 1 1/2" (6.4mm x 38mm) with our InfiGuard Professional anti-corrosion system.
- Dimensions: 71 1/2" x 8 1/8" x 35 3/16" (1816mm x 206mm x 894mm).
- Stainless steel standard anchor.
- Cameleon hardware.
- Available installation: surface mounted and in-ground mounted.
- Shipped assembly.

Standard installation details:

- Surface mounted.
- In-ground mounted.

Options:

- Stainless steel antitheft anchor #OAN.
- Stainless steel antitheft hardware.

Station Bench 72", ULTRAPLAST™, weight : 75 Lb.