

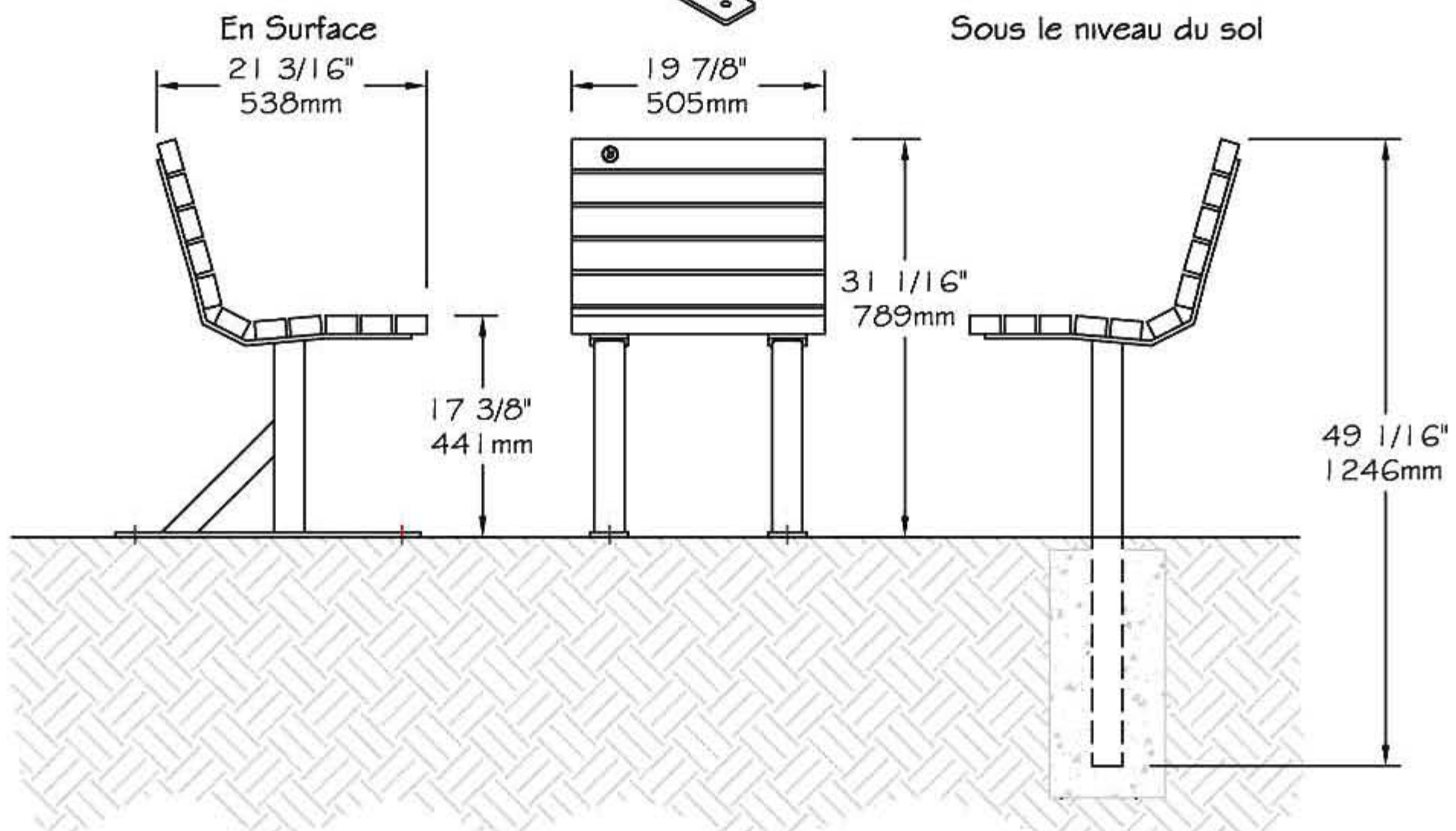
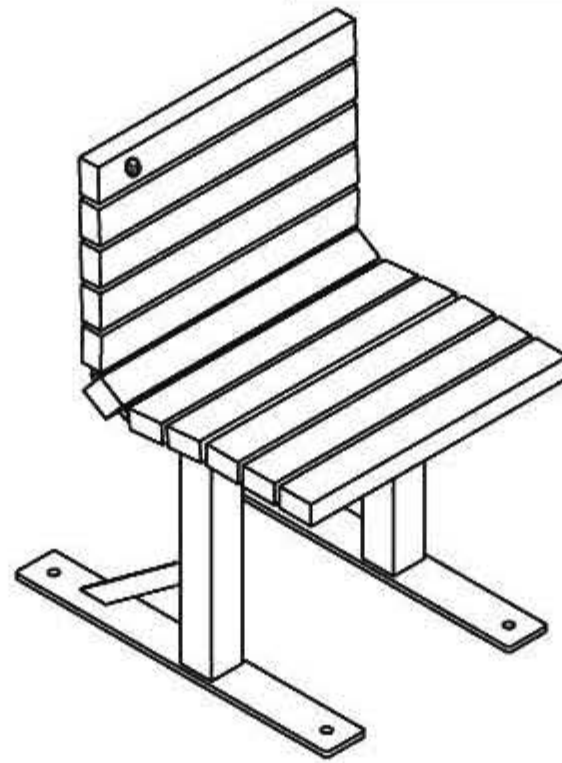
www.PublicFurniture.com

Phone: 1-888-863-2888

Fax: 1-888-863-2858

Public Place Serie - Bench 20" for game table

#194128



Bench 20" for game table #194128 "Public Place Serie"

-The slats bench is made of **ULTRAPLAST**® recycled plastic and structure is made of steel coated with our InfiGuard Professional anti-corrosion system.

-The bench slats are available in grey (#194128/GR), brown (#194128/BR), green (#194128/GR), sand (#194128/SB) or red wood (#194128/RW).

-The bench slats are in 2" x 3" (37mm x 62mm).

-Tubular steel legs, 2 1/2" x 2 1/2" (64mm x 64mm) and flat steel 10mm x 76mm (3/8" x 3") .

-Flat steel reinforcing seat, 3/8" x 2" (10mm x 50mm).

-Dimensions: 19 7/8" x 21 3/16" x 31 1/16" (505mm x 538mm x 789mm).

-Cameleon hardware.

-Stainless steel standard anchor.

-Available installation: surface mounted and in-ground mounted.

-Shipped assembly.

Standard installation details:

-Surface mounted.

-In-ground mounted.

Options:

-Stainless steel antitheft anchor #OAN.

-Stainless steel antitheft hardware.

-Shipped to be ready assembly.

Bench 20" for game table, **ULTRAPLAST**®, weight : 127 Lb.