

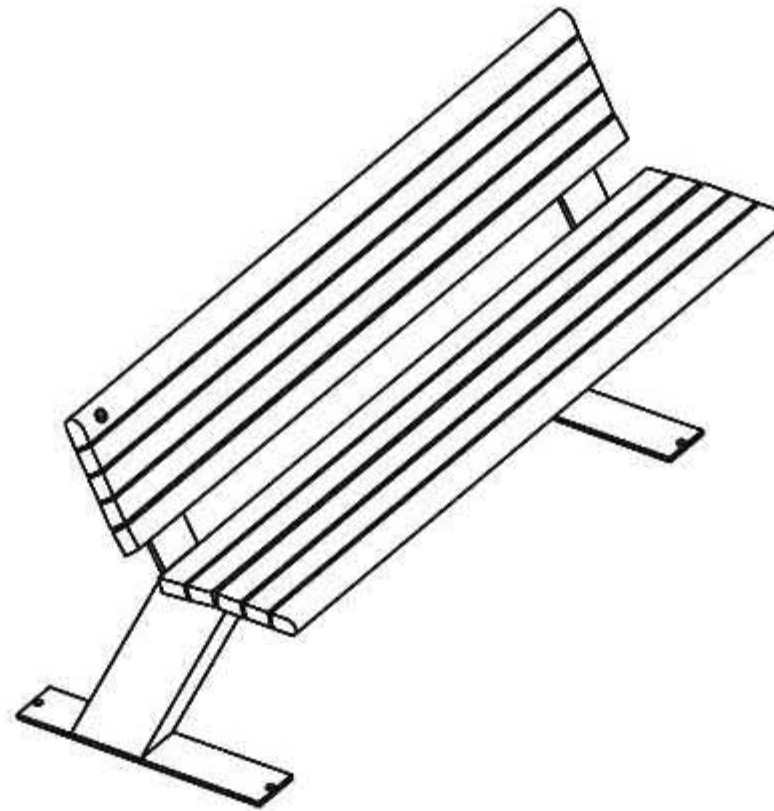
www.PublicFurniture.com

Phone: 1-888-863-2888

Fax: 1-888-863-2858

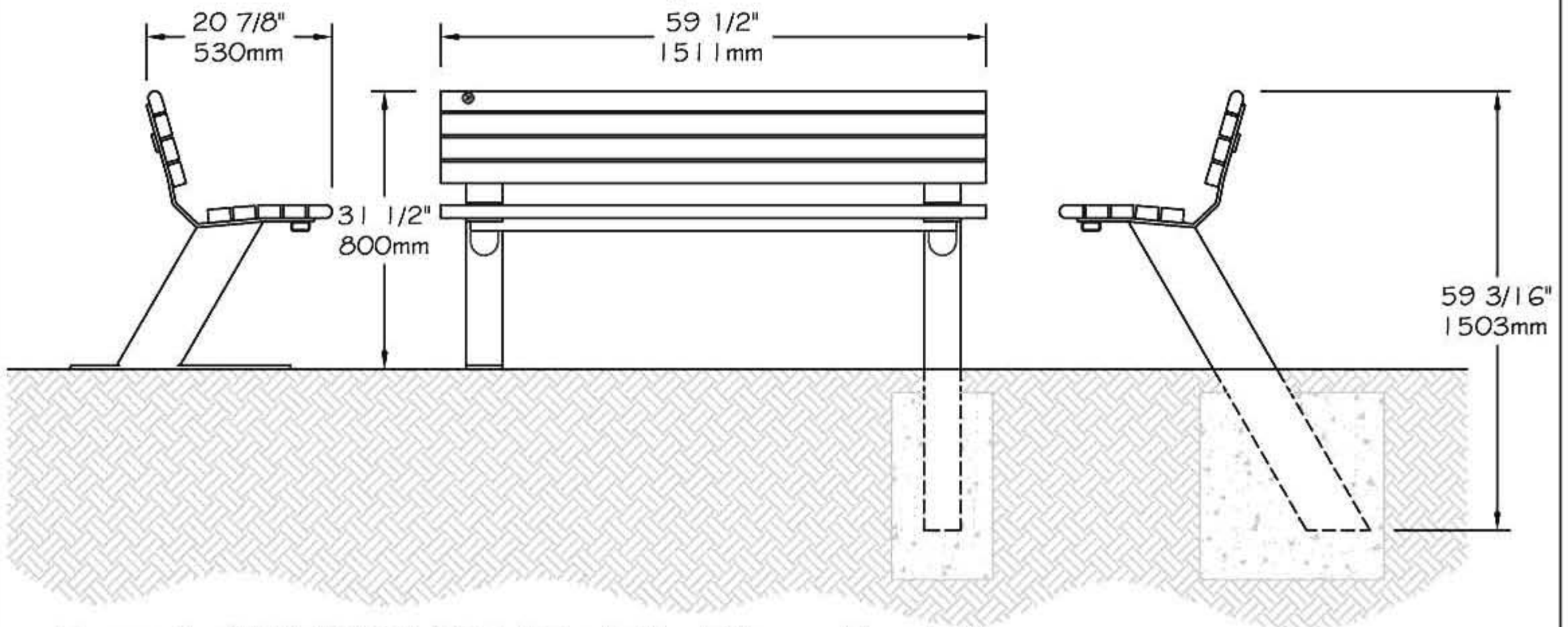
Public Place Serie - Bench 60"

#194103



Surface mounted

In-ground mounted



Bench 60" #194103 "Public Place Serie"

- The slats bench is made of **ULTRAPLAST™** recycled plastic and structure is made of steel.
- The bench slats are available in grey (#194103/GR), brown (#194103/BR), green (#194103/GR), sand (#194103/SB) or red wood (#194103/RW).
- The bench slats are in 2" x 3" (37mm x 62mm) and with Bullnose 2" x 3" (37mm x 62mm).
- Flat steel still plates, 3/8" x 4" (10mm x 100mm) with our InfiniGuard Professional anti-corrosion system.
- Tubular steel legs, 4" x 6" (100mm x 153mm) with our InfiniGuard Professional anti-corrosion system.
- Tubular steel seat structure, 1" x 2" (25mm x 51mm) with our InfiniGuard Professional anti-corrosion system..
- Flat steel seat support, 3/8" x 2" (10mm x 51mm) with our InfiniGuard Professional anti-corrosion system..
- Dimensions: 59 1/2" x 20 7/8" x 31 1/2" (1511mm x 530mm x 800mm).
- Cameleon hardware.
- Stainless steel standard anchor.
- Available installation: surface mounted and in-ground mounted.
- Shipped assembly.

Standard installation details:

- Surface mounted.
- In-ground mounted.

Options:

- Stainless steel antitheft anchor #OAN.
- Ductile cast iron armrest #100703-KIT.
- Ingraving on slat 2" x 10" (37mm x 238mm) #194103-G.
- Stainless steel antitheft hardware.

Bench 60", ULTRAPLAST™, weight : 168Lb.