

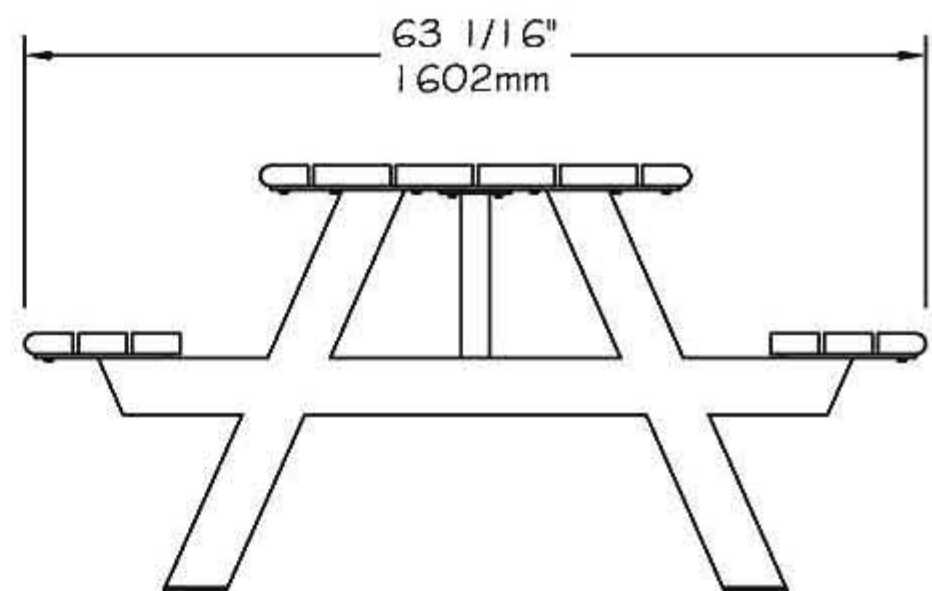
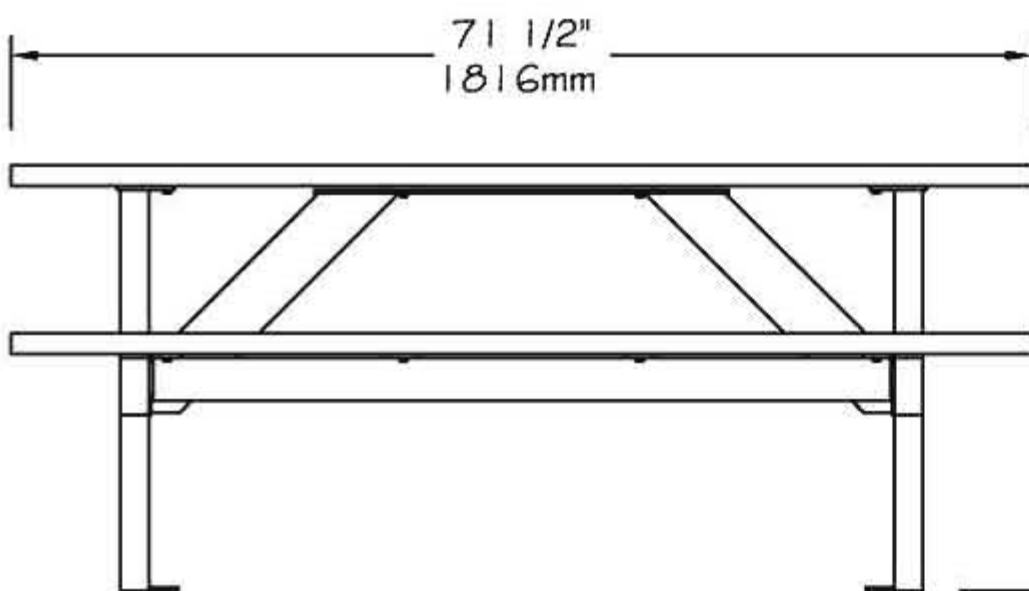
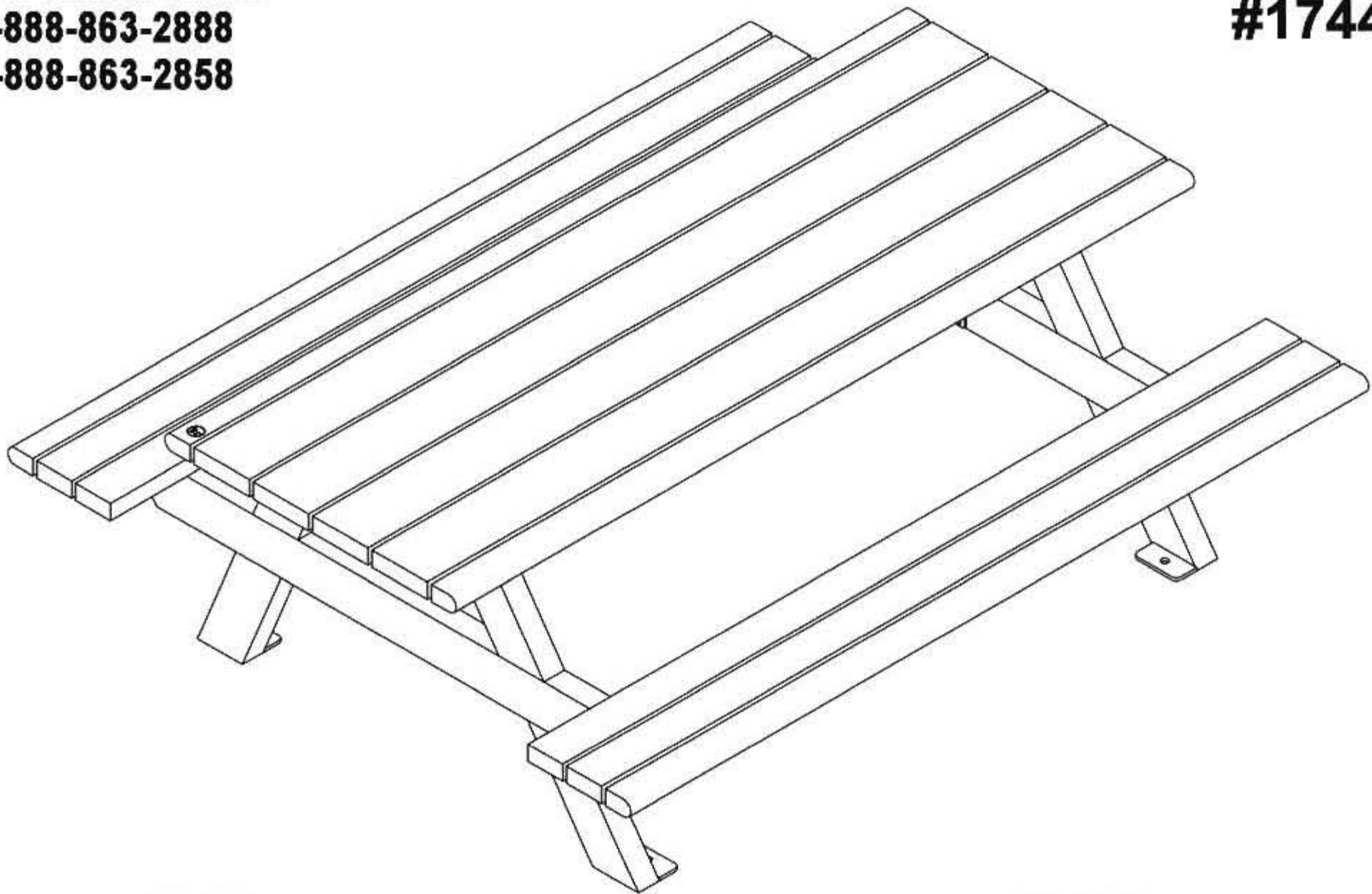
www.PublicFurniture.com

Phone: 1-888-863-2888

Fax: 1-888-863-2858

Classic serie - Picnic table 72"

#174411



Bench 72" #994102 "Champlain Serie"

-The picnic table is made of **ULTRAPLAST™** recycled plastic and steel structure coated with our InfiGuard Professional anti-corrosion system.

-The slats are available in grey (#174411/GR), green (#174411/VR), brown (#174411/BR), sand (#174411/SB) or red wood (#174411/RW).

-The seat slats are in 2" x 4" (37mm x 86mm) with Bullnose 2" x 3" (37mm x 62mm).

-The table slats are in 2" x 6" (37mm x 137mm) with Bullnose 2" x 3" (37mm x 62mm).

-Tubular steel structure, 2" x 4" (51mm x 102mm).

-Flat sheet steel 1/4" thickness (6mm).

-Dimensions: 71 1/2" x 63 1/16" x 39 3/4" (1816mm x 1602mm x 756mm).

-Stainless steel standard anchor.

-Cameleon hardware.

-Available installation: surface mounted.

-Factory assembly.

Standard installation details:

-Surface mounted.

Options:

-Stainless steel antitheft anchor #OAN.

-In-ground permanent anchor #ANC-FIX-01.

-Stainless steel antitheft hardware.

Picnic table 72", ULTRAPLAST™, weight : 375 Lb.