

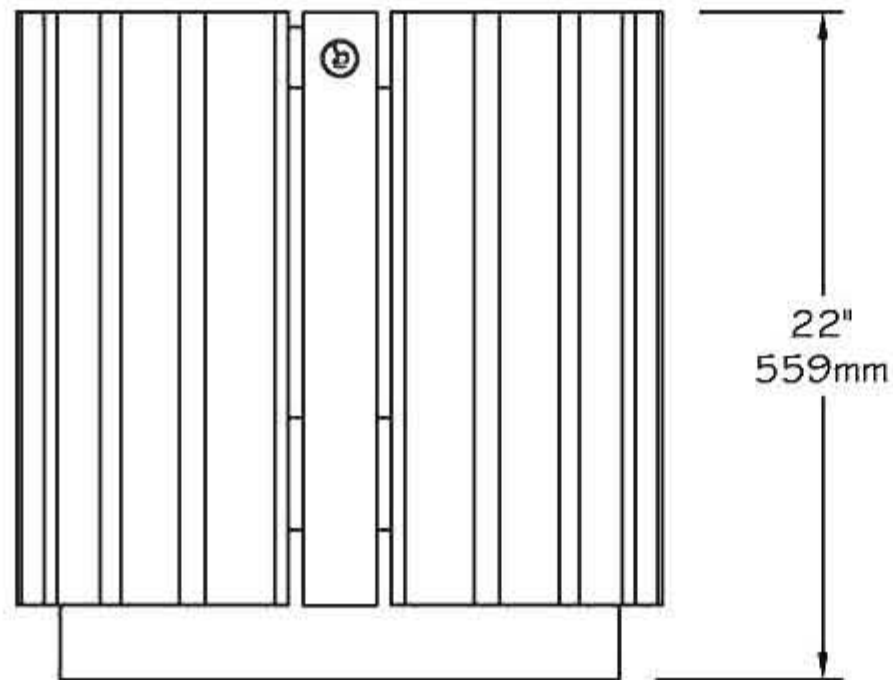
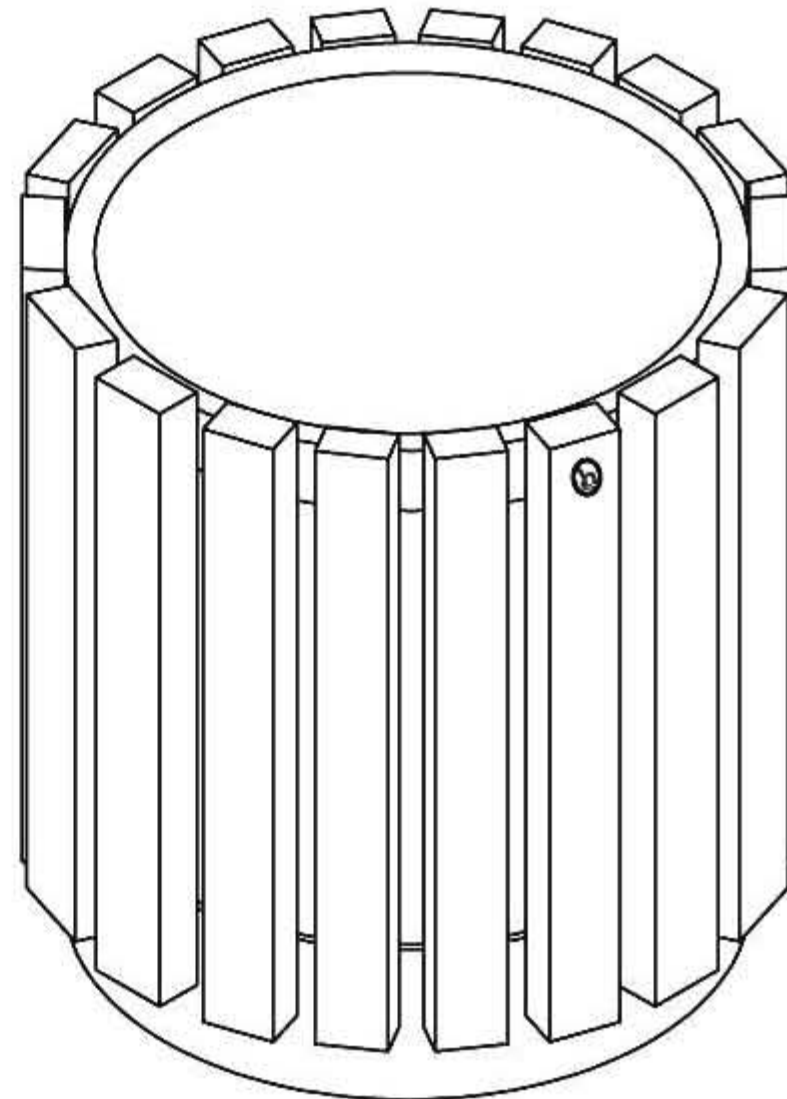
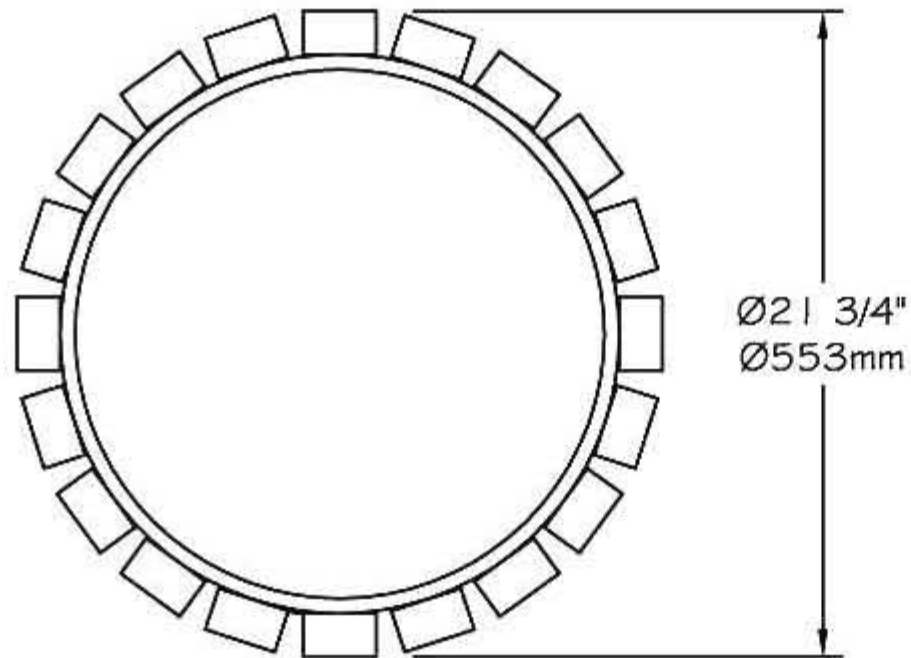
www.PublicFurniture.com

Phone: 1-888-863-2888

Fax: 1-888-863-2858

**Public Place Serie - Flower planter**

**#114417**



## **Flower planter #114417 "Public Place Serie"**

- The slats flower planter is made of **ULTRAPLAST™** recycled plastic and structure is made of steel coated with our InfiGuard Professional anti-corrosion system.
- The flower planter slats are available in grey (#114417/GR), brown (#114417/BR), green (#114417/GR), sand (#114417/SB) or red wood (#114417/RW).
- The bench slats are in 2" x 3" (37mm x 62mm).
- Polyethylene Inside receptable.
- Dimensions: Ø21 3/4" x 22" (Ø553mm x 559mm).
- Capacity: 10 gal. US (38 liters).
- Cameleon hardware.
- Stainless steel standard anchor.
- Available installation: surface mounted.
- Shipped assembly.

### **Standard installation details:**

- Surface mounted.

### **Options:**

- Stainless steel antitheft anchor #OAN.
- In-ground permanent anchor #ANC-FIX-01.
- Stainless steel antitheft hardware.

*Flower planter, ULTRAPLAST™, weight : 88 Lb.*