

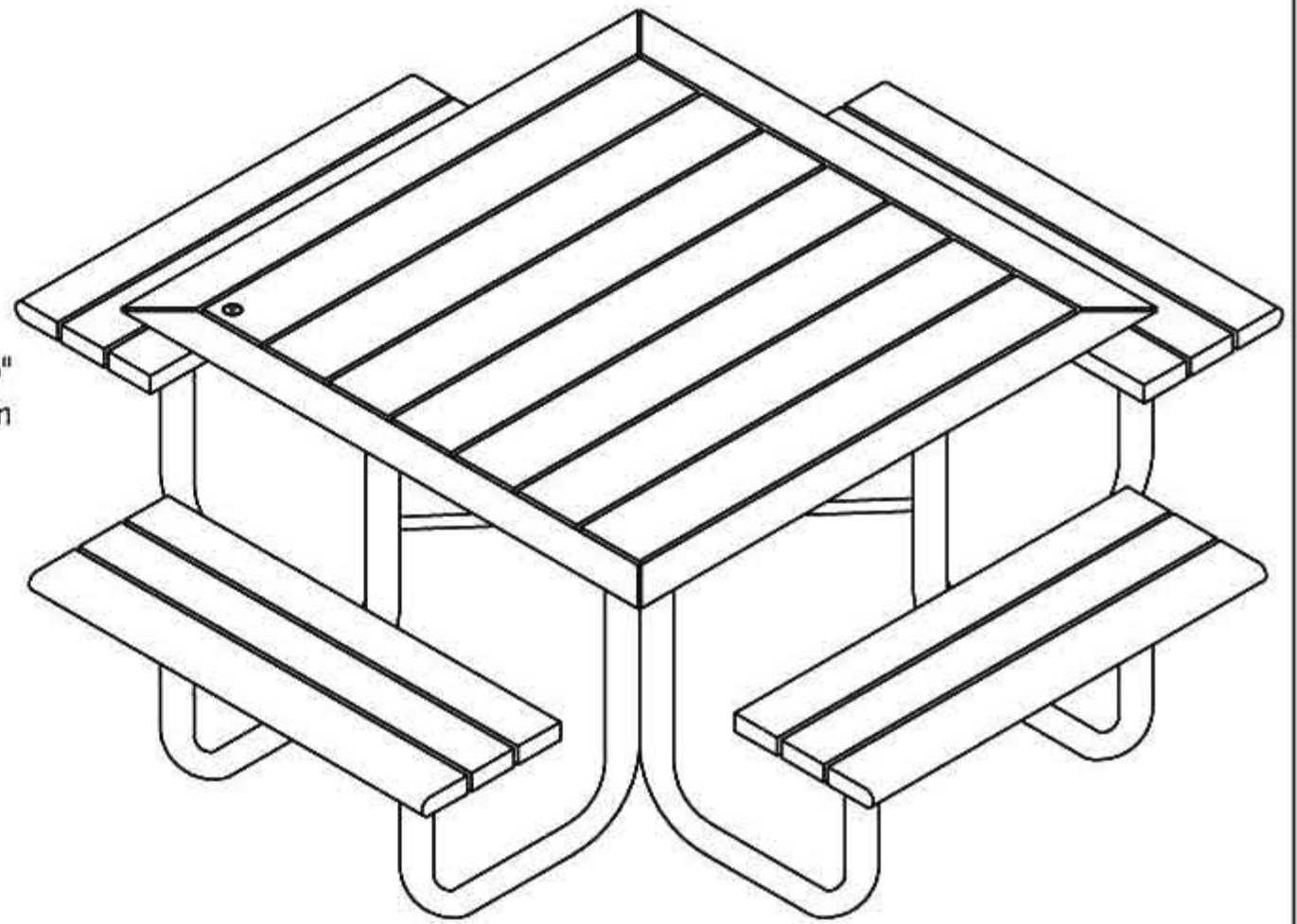
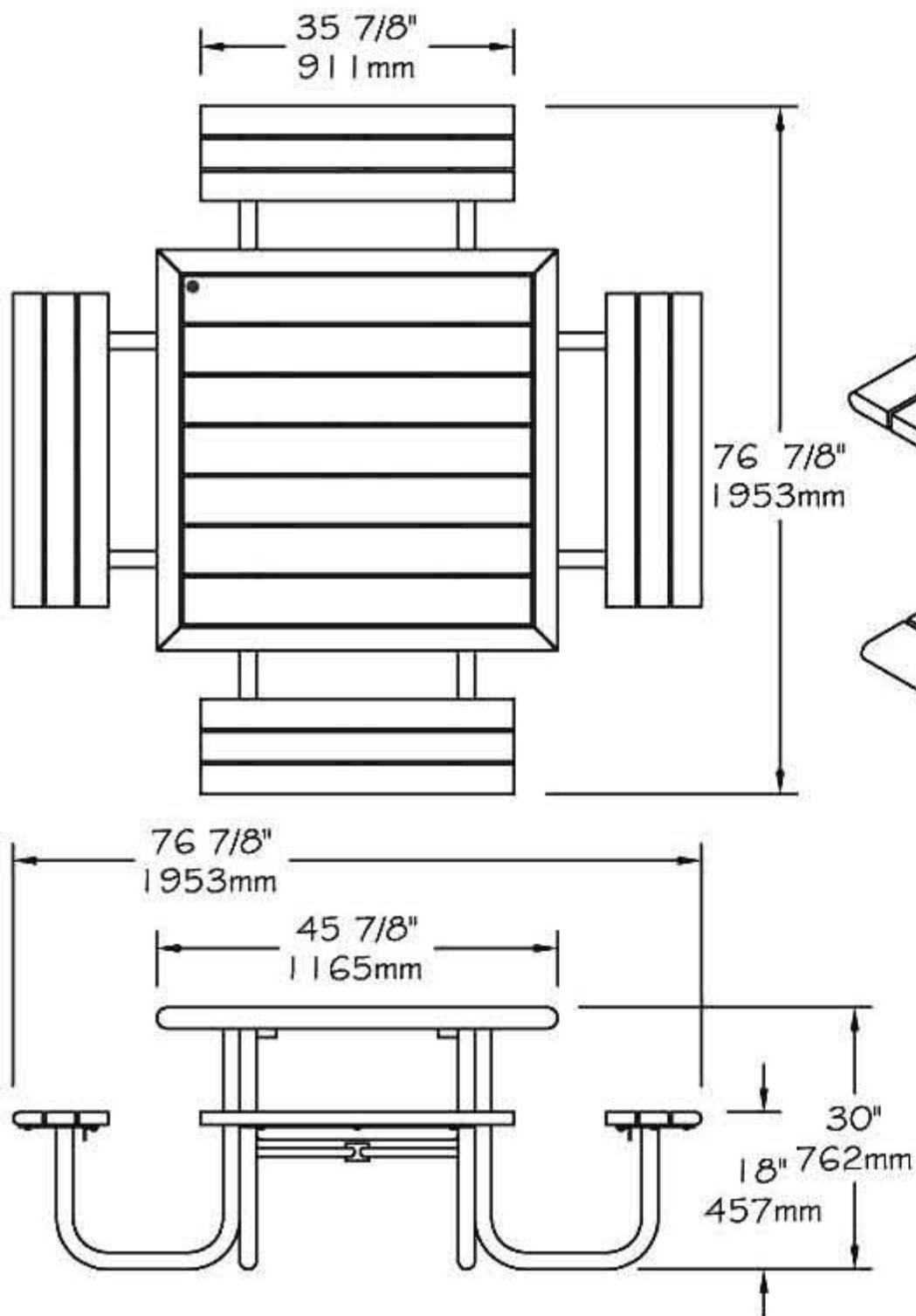
www.PublicFurniture.com

Phone: 1-888-863-2888

Fax: 1-888-863-2858

**Public Place Serie - Square picnic table**

**#174408**



## **Square picnic table #174408 "Public Place Serie"**

- The slats table is made of **ULTRAPLAST™** recycled plastic and steel structure coated with our InfiGuard Professional anti-corrosion system.
- The benches and table slats are available in grey (#174408/GR), brown (#174408/BR), green (#174408/GR), sand (#174408/SB) or red wood (#174408/RW).
- The bench slats are in 2" x 4" (37mm x 86mm) and with Bullnose 2" x 3" (37mm x 62mm).
- The table slats are in 2" x 6" (37mm x 137mm) and with Bullnose 3" x 3" (62mm x 62mm).
- Tubular steel legs, 1.9" of diameter (48mm of diameter).
- Dimensions: 76 7/8" x 76 7/8" x 30" (1953mm x 1953mm x 762mm).
- Cameleon hardware.
- Available installation: surface mounted.
- Shipped assembly.

### **Standard installation details:**

- Surface mounted.

### **Options:**

- Stainless steel standard anchor #KB.
- Stainless steel antitheft anchor #OAN.
- Hole to receive an umbrella.
- Granite #ECHEC-14/GRANITE or aluminium #ECHEC-14/AL chess-board 14" (356mm).
- Granite #ECHEC-16/GRANITE or aluminium #ECHEC-16/AL chess-board 16" (406mm).
- Stainless steel antitheft hardware.
- Semi assembly.

Square picnic table, **ULTRAPLAST™**, weight : 320 Lb.