

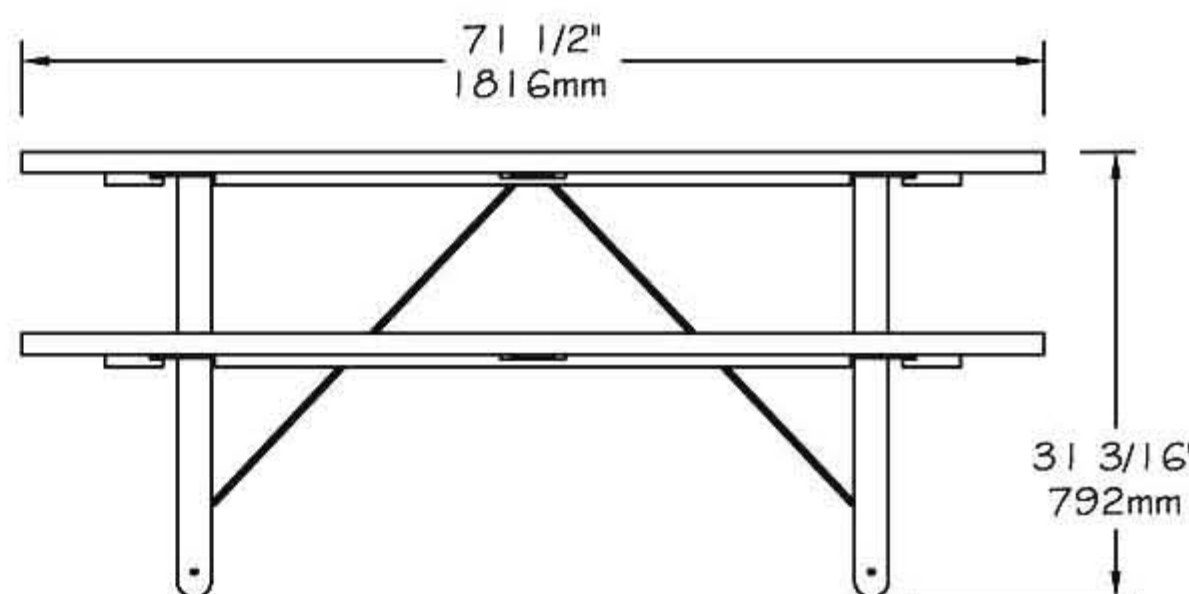
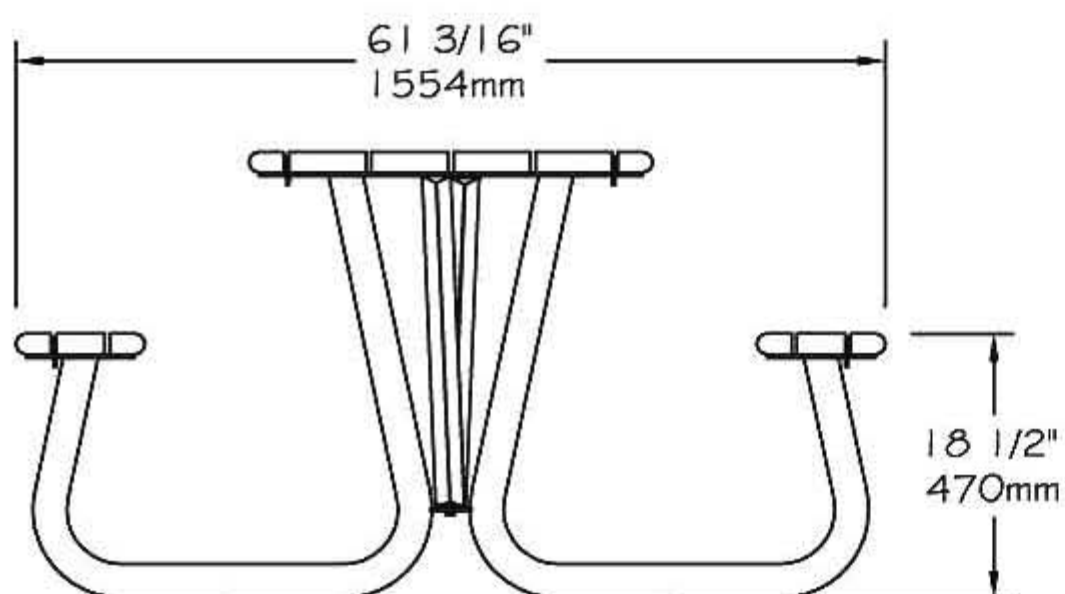
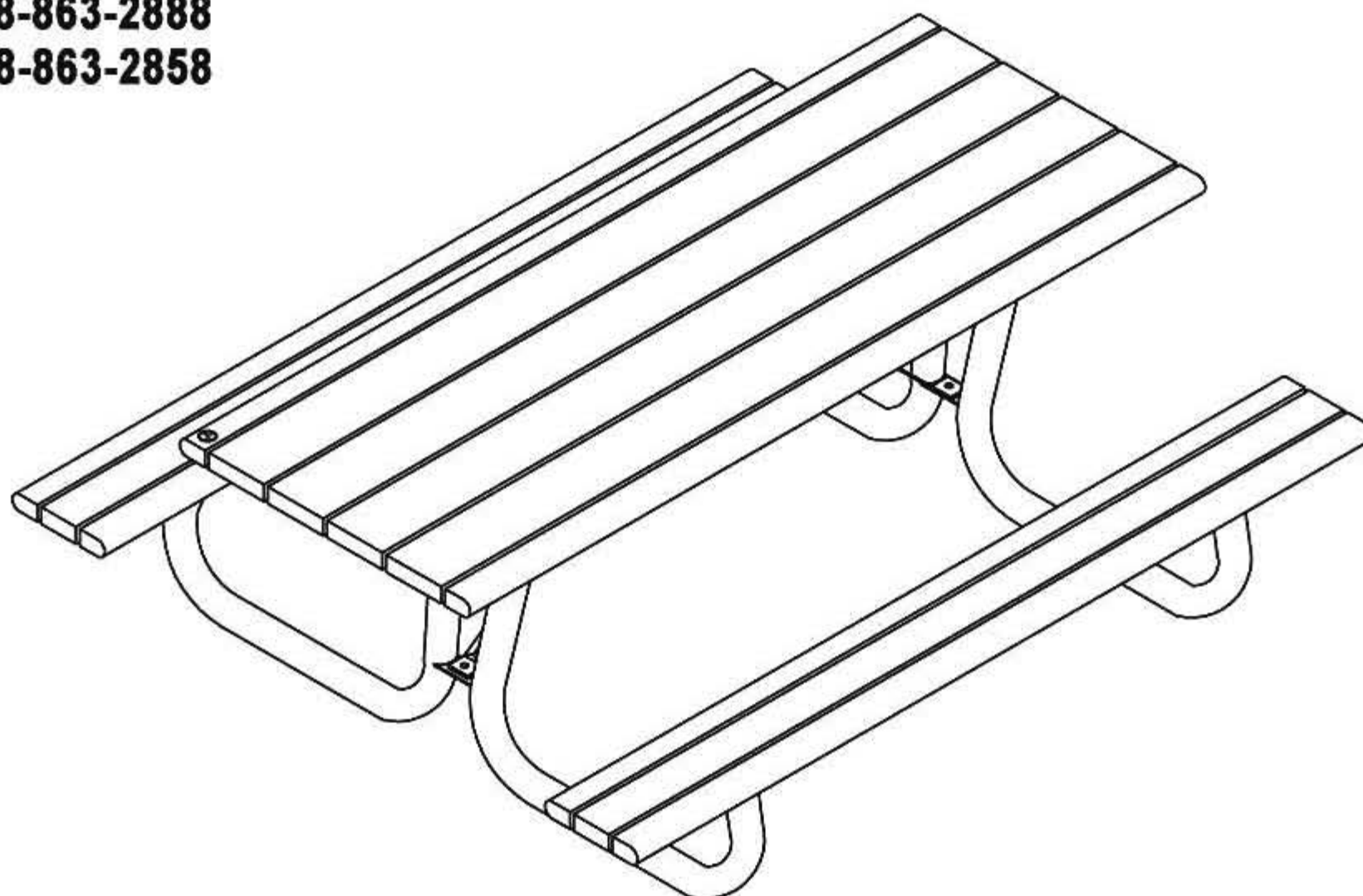
www.PublicFurniture.com

Phone: 1-888-863-2888

Fax: 1-888-863-2858

Public Place Serie - Picnic table 72"

#174403



## Picnic table 72" #174403 "Public Place Serie"

- The slats table is made of **ULTRAPLAST** recycled plastic and struture is galvanized steel.
- The bench slats are available in grey (#174403/GR), brown (#174403/BR), green (#174403/GR), sand (#174403/SB) or red wood (#174403/RW).
- The bench slats are in 2" x 4" (37mm x 86mm) and with Bullnose 2" x 3" (37mm x 62mm).
- The table slats are in 2" x 6" (37mm x 137mm) and with Bullnose 2" x 3" (37mm x 62mm).
- Tubular steel legs, 2 3/8" pf diameter (60mm dof diameter).
- Steel longitudinal reinforcements, 3/16" x 2" (4.8mm x 51mm).
- Dimensions: 71 1/2" x 61 3/16" x 31 3/16" (1816mm x 1554mm x 792mm).
- Cameleon hardware.
- Available installation: surface mounted.
- Shipped assembly.

### Standard installation details:

- Surface mounted.

### Options:

- Stainless steel standard anchor #KB.
- Stainless steel antitheft anchor #OAN.
- Stainless steel antitheft hardware.
- InfiniGuard professional anti-corrosion system coating.
- Shipped ready to be assembly.

Picnic table 72", ULTRAPLAST, weight : 258 Lb.